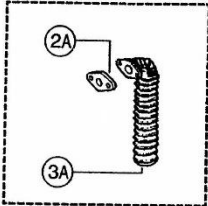
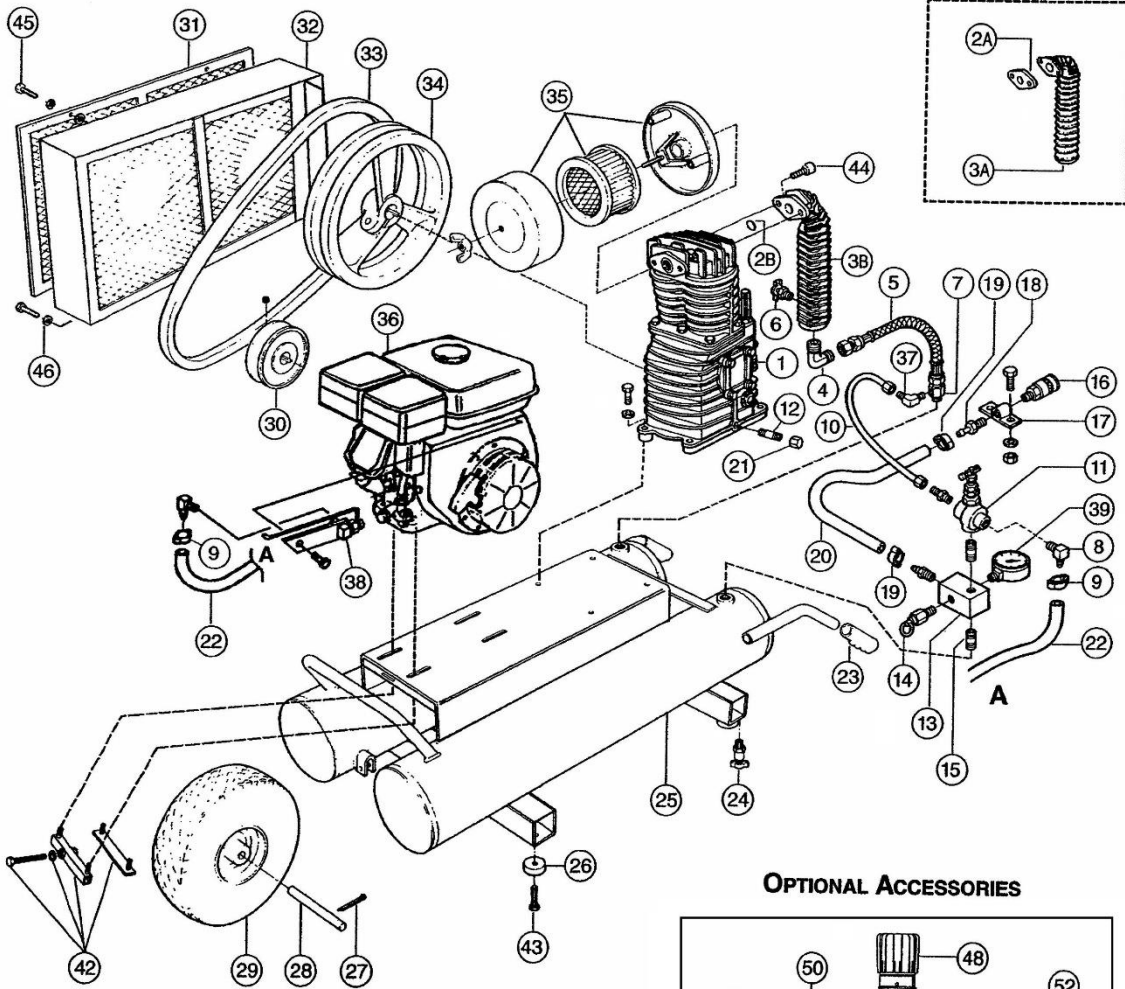
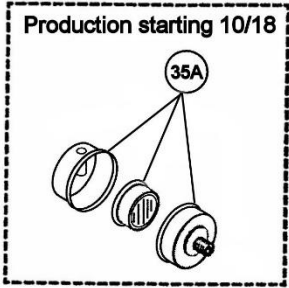
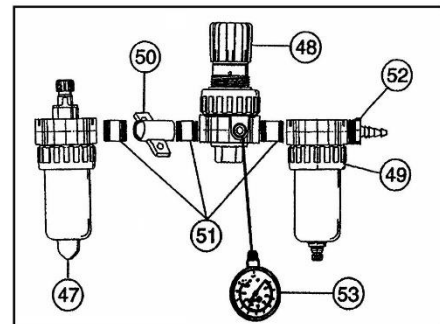
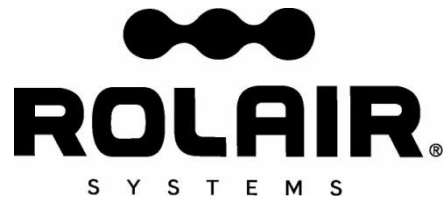


  
**ROLAIR**<sup>®</sup>  
 SCHEMATIC FOR  
 4090HK17



**OPTIONAL ACCESSORIES**





## PARTS LIST FOR MODEL 4090HK17

Schem #	Description	Part #	Qty.	Schem #	Description	Part #	Qty.
1	Twin Cylinder Pump with Flywheel	PMP12K17CH	1	26	Rubber Foot	219	4
	Twin Cylinder Pump less Flywheel	PMP12K17CHLF	1	27	Cotter Pin	181A	2
				28	Axle	181	1
				29	Foam-Filled Flat-Free Tire	WLS50	1
2A	Gasket	30501490CH	1	30	Pulley	PUAK44X0750	1
2B	O-Ring	30502510CH	1	31	Belt-Guard Cover	NLA	1
3A	Aftercooler	3290146ACH	1	32	Belt-Guard (Base & Cover)	BG9140ASY	1
3B	Aftercooler - O-Ring Style	Use 3290146ACH	1	33	Belt	BT4L510/A49	1
4	Brass Elbow	145D	1	34	Flywheel	31007280CH	1
5	Braided Discharge Tube	FDT9.5	1	35	Intake Filter Assembly (before 10/18)	FS14050	1
6	Drain Valve	132	1		Filter Element for FS14050	431	1
7	Check Valve	CV4X4TA-A175	1	35A	Intake Filter Assembly (after 10/18)	FS10052	1
	Safety Valve (1/8")**	SRV0125A175	1		Filter Element for FS10052	433	1
8	Brass Elbow	BREL0250X0125H16	2				
9	Hose Clamp	177	2				
10	1/4" Nylon Tube – 14.4"	178D	1.2'	36	Honda Engine	ENG05HO1	1
	Brass Nut	BRNT0250	2	37	Brass Elbow	BREL0250X012539	1
	Brass Sleeve	BRSL0250	2	38	Throttle Control Kit	192EGX160K1QX	1
	Brass Ring	BRRG0250	2	39	Gauge	GA0250200GC	1
11	Pilot Unloader Valve	131B	1	42	Belt Tightener/Mounting Kit	SBT5HP-ANGLE*	1
	Felt Muffler	131BM	1	43	Screw	MIS10008	4
	Retainer Ring	131BR	1	44	Bolt	37302530CH	2
12	Nipple	BLNP0250X1500	1	45	Spin-lock Bolt	MIS10094	5
13	Aluminum Block Manifold	154	1		Self-tapping Screw	MIS10092	5
14	Safety Relief Valve	SRV0250A165	1	46	Bolt	MIS10022	2
15	Nipple	BLNP0500X1500	1		Lock Washer	MIS10099	2
16	Quick Disconnect	309A	1		Washer	MIS10108	2
17	Accessory Bracket	210	1		<b>(Accessories)</b>		
18	Brass Coupler	BRCP0375X0375H12	2	47	Lubricator	LUB0375	1
19	Hose Clamp	177A	2	48	Regulator	REG0375	1
20	3/8" Rubber Hose – 16"	178A	1.34'	49	Filter (Water Trap)	FILO375	1
21	Cap	BLCA0250	1	50	Accessory Bracket	210	1
22	1/4" Rubber Hose – 36"	178	3'	51	Nipple	BLNP0375X1500	3
23	Handle Grip	328	2	52	Brass Coupler	BRCP0375X0375H12	1
24	Drain Valve	132BV	2	53	Gauge	GA0250200GC	1
25	Twin Tank Assembly	TNKASY4090K17	1				

As an added safety measure, belt driven models built after July 1, 2015 include additional safety valve on check valve.

\*For units built prior to February 2005, order SBT5HP-SQUARE.

\*\*Safety valve not shown but may be ordered separately.

