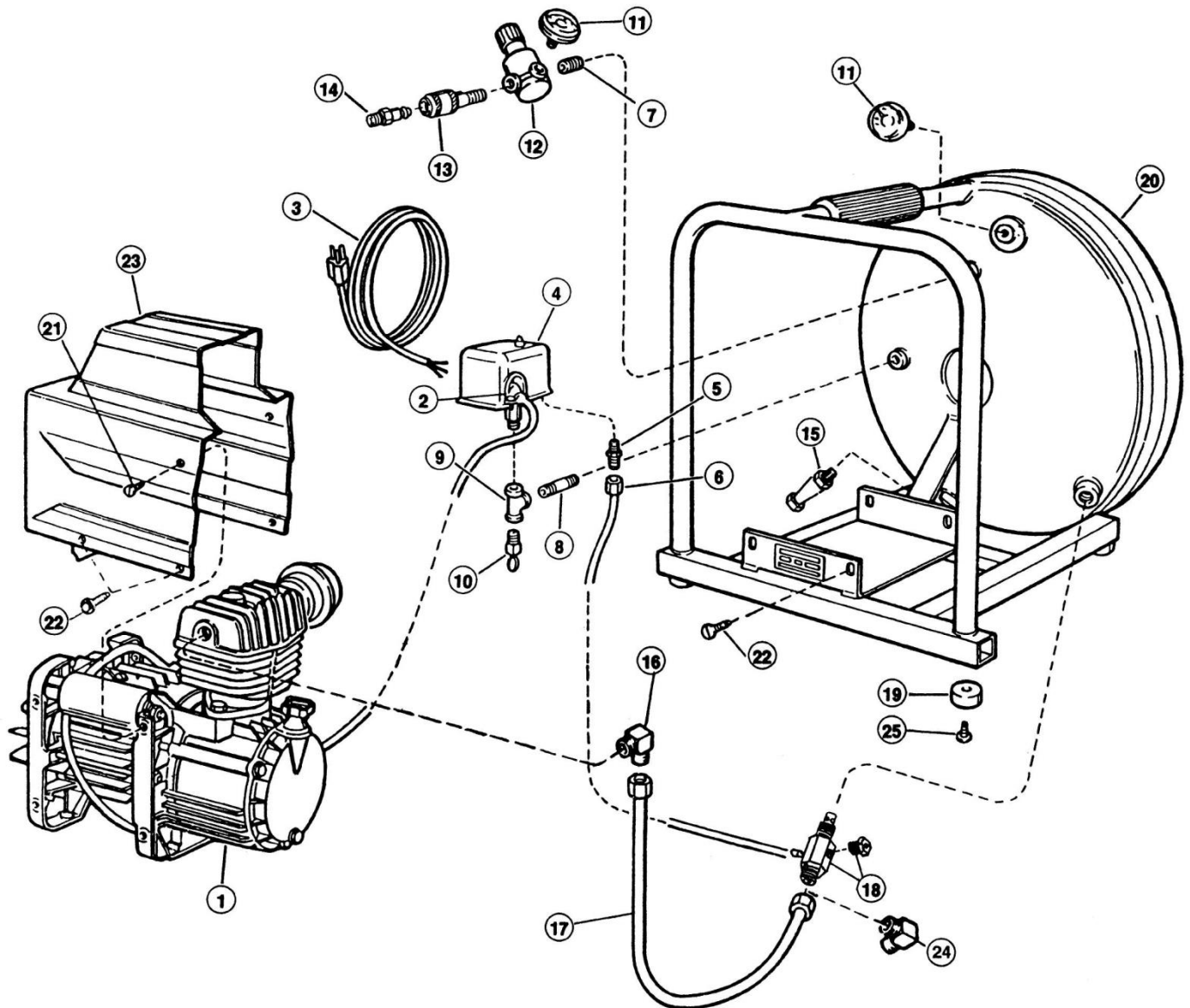
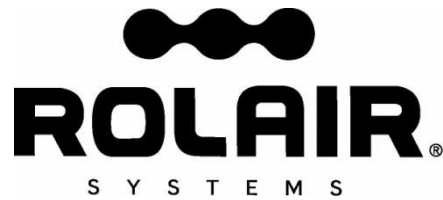


ROLAIR®

SCHEMATIC FOR MODELS

- | | | |
|-----------|-----------|------------|
| D075HPV5 | D1000LPV5 | OD1500LPV5 |
| D075LPV5 | D1500HPV5 | OD1500HPV5 |
| D2002HPV5 | D2000HPV5 | |





PARTS LIST FOR MODELS

D075HPV5 D1500HPV5 OD1500LPV5
D075LPV5 D2000HPV5 OD1500HPV5
D1000LPV5 D2002HPV5

| Schematic # | Description | Part # | Qty. |
|-------------|--|------------------------|---------------|
| 1 | 1 HP Pump Motor – Model D075HPV5 | PMP11MK100FI | 1 |
| | 1 HP Pump/Motor – Model D075LPV5 | PMP11MK105FI | 1 |
| | 1.5 HP Pump/Motor – Model D1000LPV5 | PMP11MK135FI | 1 |
| | 2 HP Pump/Motor – Model D1500HPV5 | PMP11MK200FI | 1 |
| | 2 HP Pump/Motor – Model OD1500LPV5* | PMP11MK150FI | 1 |
| | 2 HP Pump/Motor – Model OD1500HPV5* | PMP11OL202FI | 1 |
| | 2 HP Pump/Motor – Model D2000HPV5 | PMP11MK200PFI** | 1 |
| | 2 HP Pump/Motor – Model D2002HPV5 | PMP11MK246FC** | 1 |
| | 2 | Box Connector | 160 |
| 3 | Cord with Plug | 176 | 1 |
| 4 | Pressure Switch | PS2020M | 1 |
| 5 | Pressure Switch Relief Valve | PS2020RV | 1 |
| 6 | 1/2" Nylon Tubing – 15" | 178D | 1.25' |
| | Brass Nut | BRNT0250 | 2 |
| | Brass Ring | BRRG0250 | 2 |
| | Brass Sleeve | BRSL0250 | 2 |
| | 7 | Nipple | BLNP0250X0875 |
| 8 | Nipple | BLNP0250X1500 | 1 |
| 9 | Tee | BLTE0250 | 1 |
| 10 | Safety Valve | SRV0250A165 | 1 |
| 11 | Gauge | GA0125200 | 2 |
| 12 | Regulator | REG0250M | 1 |
| 13 | Quick Disconnect | U9001 | 1 |
| 14 | Coupler Plug | 310 | 1 |
| 15 | Drain Valve | 132B | 1 |
| 16 | Brass Elbow | BREL0500X037539 | 1 |
| | Brass Straight - OD1500LPV5* Only | BRST0500X050038 | 1 |
| 17 | 1/2" Copper Tube | Specify Model/Serial # | 1 |
| 18 | Check Valve | | |
| | D1500HPV5, D2002HPV5, D2000HPV5 & OD1500LPV5* Only | CV4X4TWB | 1 |
| | OD1500HPV5* Only | CV3X4TWB | 1 |
| | All other models | CV4X4T | 1 |
| | Bleeder Valve | CSV0125 | 1 |
| 19 | Rubber Foot | 219B | 4 |
| 20 | Tank Assembly | Specify Model | 1 |
| 21 | Screw | 014006121F | 2 |
| 22 | Screw | MIS10036 | 4 |
| 23 | Shroud - OD1500LPV5* Only | 116004006F | 1 |
| | OD1500HPV5* Only | 116005030F | 1 |
| | All other models | 199657000F | 1 |
| 24 | Brass Elbow - OD1500HPV5* Only | BREL0500X037539 | 1 |
| 25 | Screw | MIS10093C | 4 |

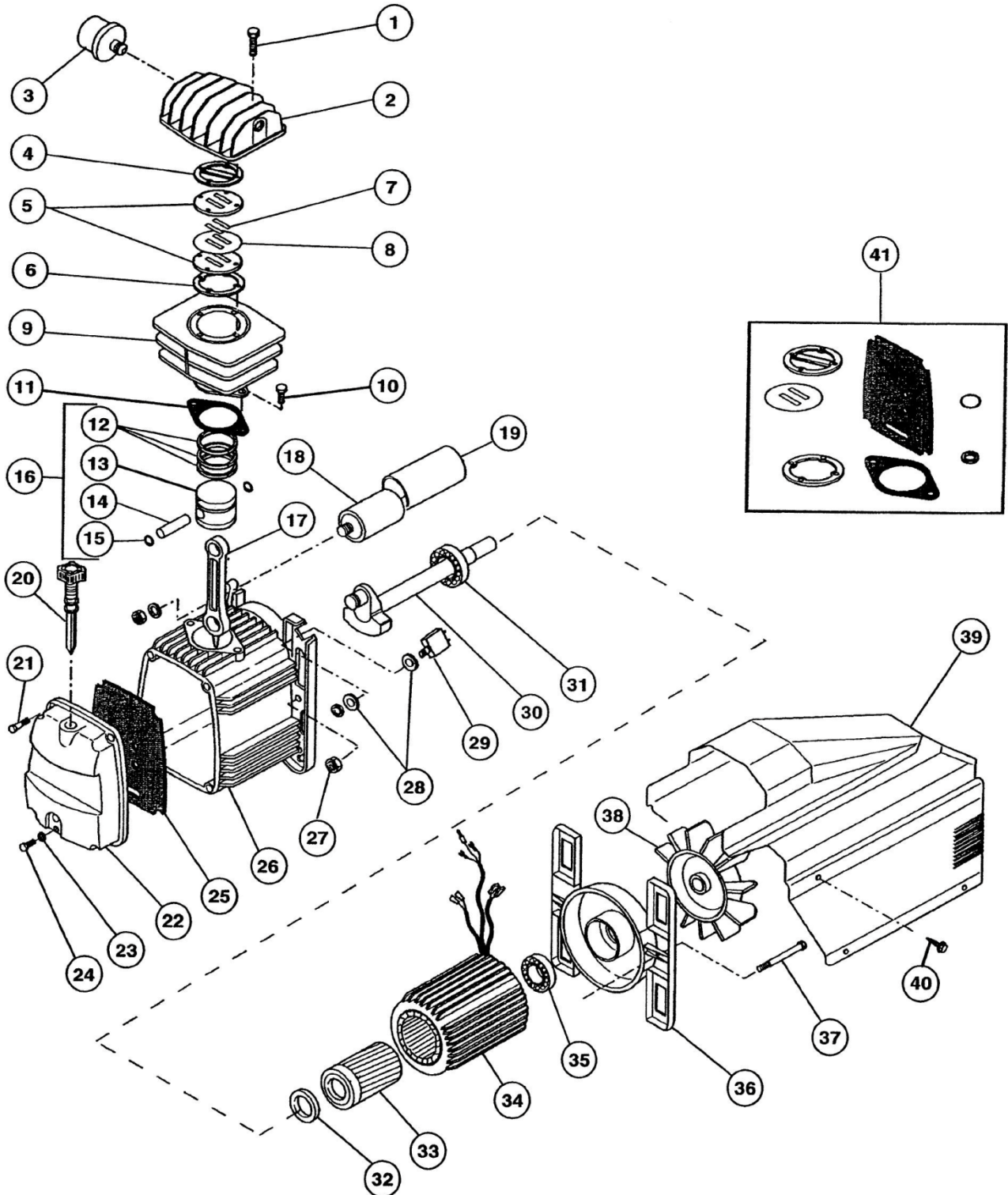
*Oilless Models

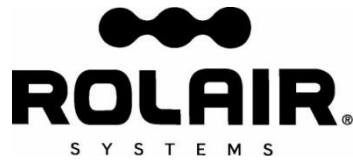
**Location of intake filter is reversed from standard factory position. Please indicate model number when ordering.



606 South Lake Street > P.O. Box 346 > Hustisford, WI 53034-0346 > 920.349.3281 > fax 920.349.8861 > www.rolair.com

ROLAIR
SCHEMATIC FOR
PMP11MK246FC





PARTS LIST FOR PMP11MK246FC

| Schematic # | Description | Part # | Qty. |
|-------------|---|---------------------------|--------|
| 1 | Bolt | FC014002021 | 4 |
| 2 | Head | FC116022002 | 1 |
| 3 | Intake Filter Assy. (Mdl's FC2002, FC2002HBP6) (Mdl's D2002HPV5, D2002HSSV5) | FC317007000 317013000F | 1 1 |
| 4 | Gasket | U1100 | 1 |
| 5 | Valve Plate | U1103 | 2 |
| 6 | Gasket | U1102 | 1 |
| 7 | Valve | U1104 | 2 |
| 8 | Gasket | U1101 | 1 |
| 9 | Cylinder | FC116093009 | 1 |
| 10 | Bolt | FC014011064 | 2 |
| 11 | Gasket | FC116091016 | 1 |
| 12 | Ring Set* | NLA | 1 |
| 13 | Piston* | NLA | 1 |
| 14 | Piston Pin | U1115 | 1 |
| 15 | Snap Ring | U1116 | 2 |
| 16 | Piston Assembly (Includes Ref#12, 13, 14, 15) | U1105 | 1 |
| 17 | Connecting Rod | U1106 | 1 |
| 18 | Capacitor | U1107 | 1 |
| 19 | Capacitor Cover | FC116034013 | 1 |
| 20 | Dipstick | U1110 | 1 |
| 21 | Screw | FC014013021 | 4 |
| 22 | Crankcase Cover | FC116091002 | 1 |
| 23 | O-Ring | FC010072000 | 1 |
| 24 | Drain Plug | FC014013024 | 1 |
| 25 | Diaphragm | FC116091011 | 1 |
| 26 | Motor Housing | FC116091001 | 1 |
| 27 | Nut | FC014003002 | 2 |
| 28 | Washer | FC014005009 | 2 |
| 29 | Manual Reset Button | FC008331000 | 1 |
| 30 | Crankshaft | FC116022011 | 1 |
| 31 | Bearing | U1114 | 1 |
| 32 | Seal | FC010029000 | 1 |
| 33 | Rotor | FC116092003 | 1 |
| 34 | Stator | FC416QC4652 | 1 |
| 35 | Bearing | U1113 | 1 |
| 36 | End Bell | U1108 | 1 |
| 37 | Bolt | FC116011038 | 2 |
| 38 | Fan | U1109 | 1 |
| 39 | Shroud | U1112 | 1 |
| 40 | Screw | FC014006121 | 2 |
| 41 | Gasket Set | FC216093003 | 1 |
| | Valve Kit (Includes Ref#4, 6, 7, 8) | VKMK246 | 1 |

* No longer available individually, must order complete Piston Assembly (Ref#16, Part#U1105).



606 South Lake Street > P.O. Box 346 > Hustisford, WI 53034-0346 > 920.349.3281 > fax 920.349.8861 > www.rolair.com