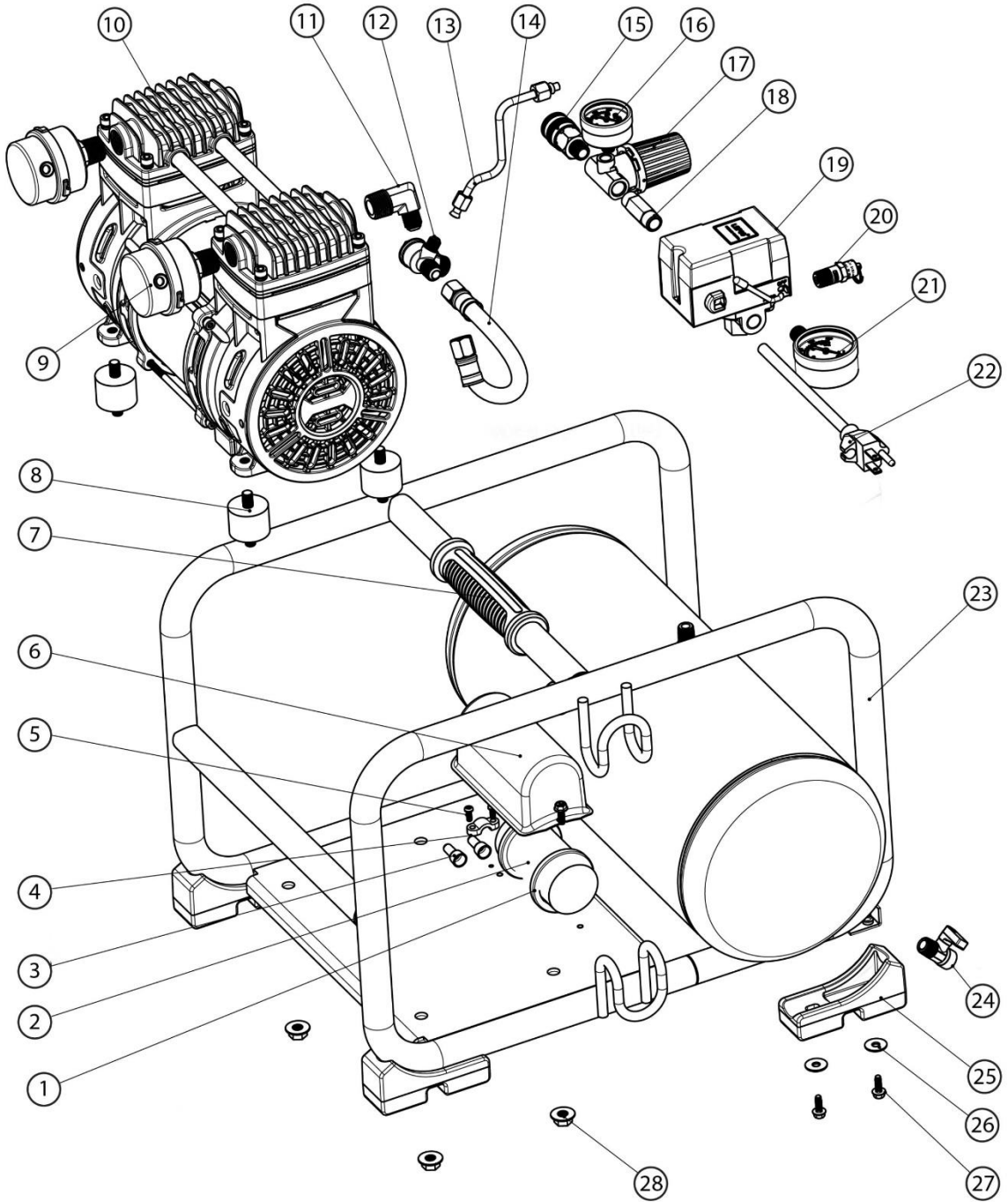
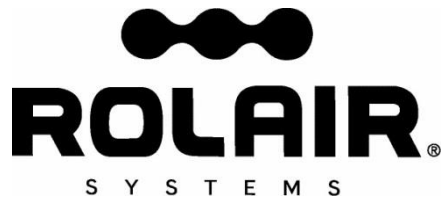


ROLAIR
SCHEMATIC FOR
JC20





PARTS LIST FOR MODEL JC20

Schem #	Description	Part #	Qty.
1	Clamp Ring	JC10P24	2
2	Capacitor	JC20P2	1
3	Connector	JC20P3	2
4	Wire Clamp	JC10P26	1
5	Screw	JC10P27	2
6	Cover – Capacitor	JC10P17	1
7	Handle Grip	JC10P7	1
8	Vibration Dampener	JC20P8	4
9	Intake Filter	JC20P9	2
10	Complete Motor/Pump Assembly	PMP12JC20	1
11	Brass Elbow	JC20P11	1
12	Check Valve with #13 Unloader Line	JC20P12	1
13	Unloader Line Assembly*	NLA	1
14	Braided Discharge Tube	JC20P14	1
15	Quick Disconnect	U9001	1
16	Gauge – Line	U3001	1
17	Regulator	U3002	1
18	Nipple	U5003	1
19	Pressure Switch	JC20P19	1
20	Safety Relief Valve	JC20P20	1
21	Gauge - Tank	JC10P15	1
22	Cord with Plug	JC20P22	1
23	Tank Assembly	JC20P23	1
24	Drain Valve	U6002	1
25	Rubber Foot	JC20P25	4
26	Washer	JC10P20	8
27	Screw	JC10P22	10
28	Nut	JC20P28	4

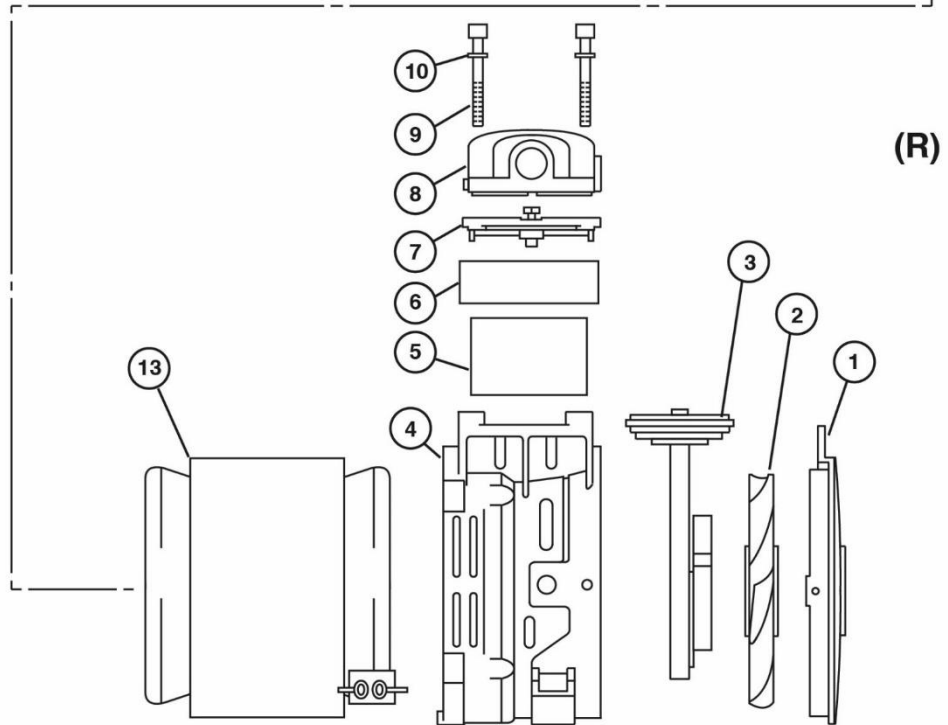
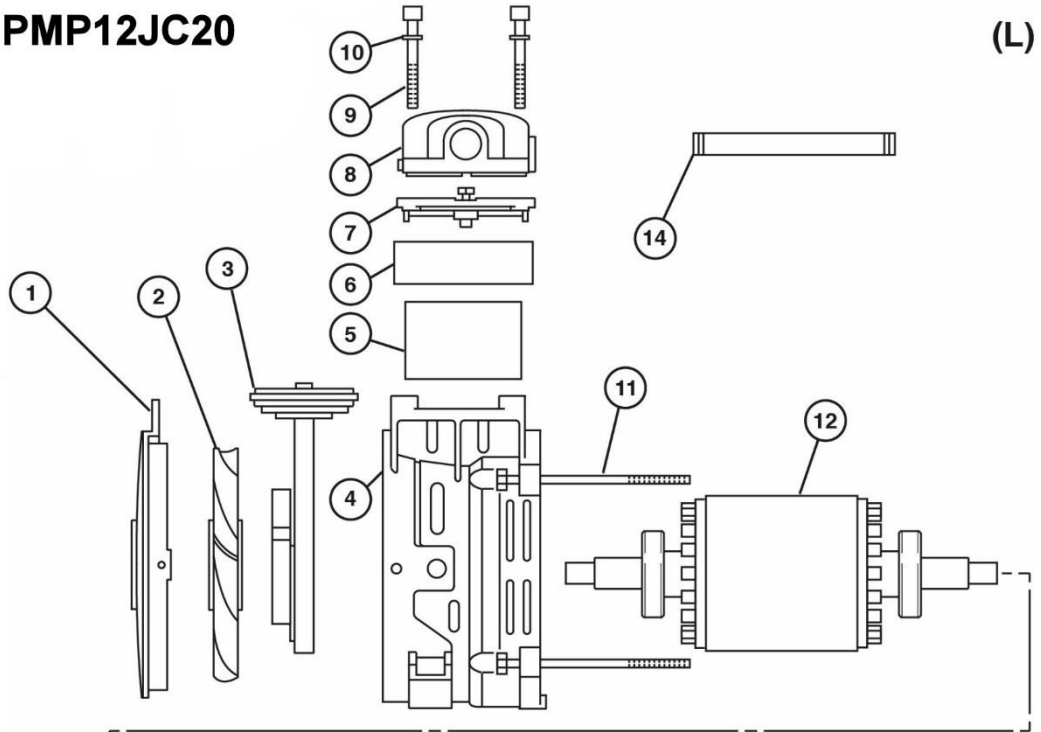
*Order JC20P12. Not available separately.

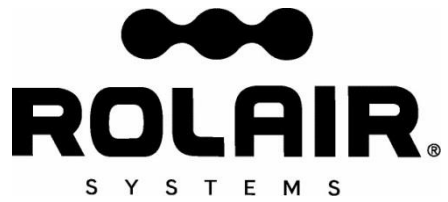




ROLAIR

SCHEMATIC FOR MODEL PMP12JC20





PARTS LIST FOR MODEL PMP12JC20

Schem #	Description	Part #	Qty.
1	Motor Cover	JC20P29	2
2	Fan (left side)	JC20P30L	1
	Fan (right side)	JC20P30R	1
3	Connecting Rod/Piston Assembly	JC20P31	2
4	Crankcase (left side)	JC20P32L	1
	Crankcase (right side)	JC20P32R	1
5	Cylinder	JC20P33	2
6	Spacer-Cylinder	JC20P34	2
7	Valve Plate Assembly	JC20P35	2
8	Head	JC20P36	2
9	Head Bolt	JC20P37	8
10	Washer	JC20P38	8
11	Bolt	JC20P39	4
12	Rotor	JC20P40	1
13	Stator	JC20P41	1
14	Connecting Tube	JC20P42	2
	Valve Kit (valves & upper seals)	VKJC20	1