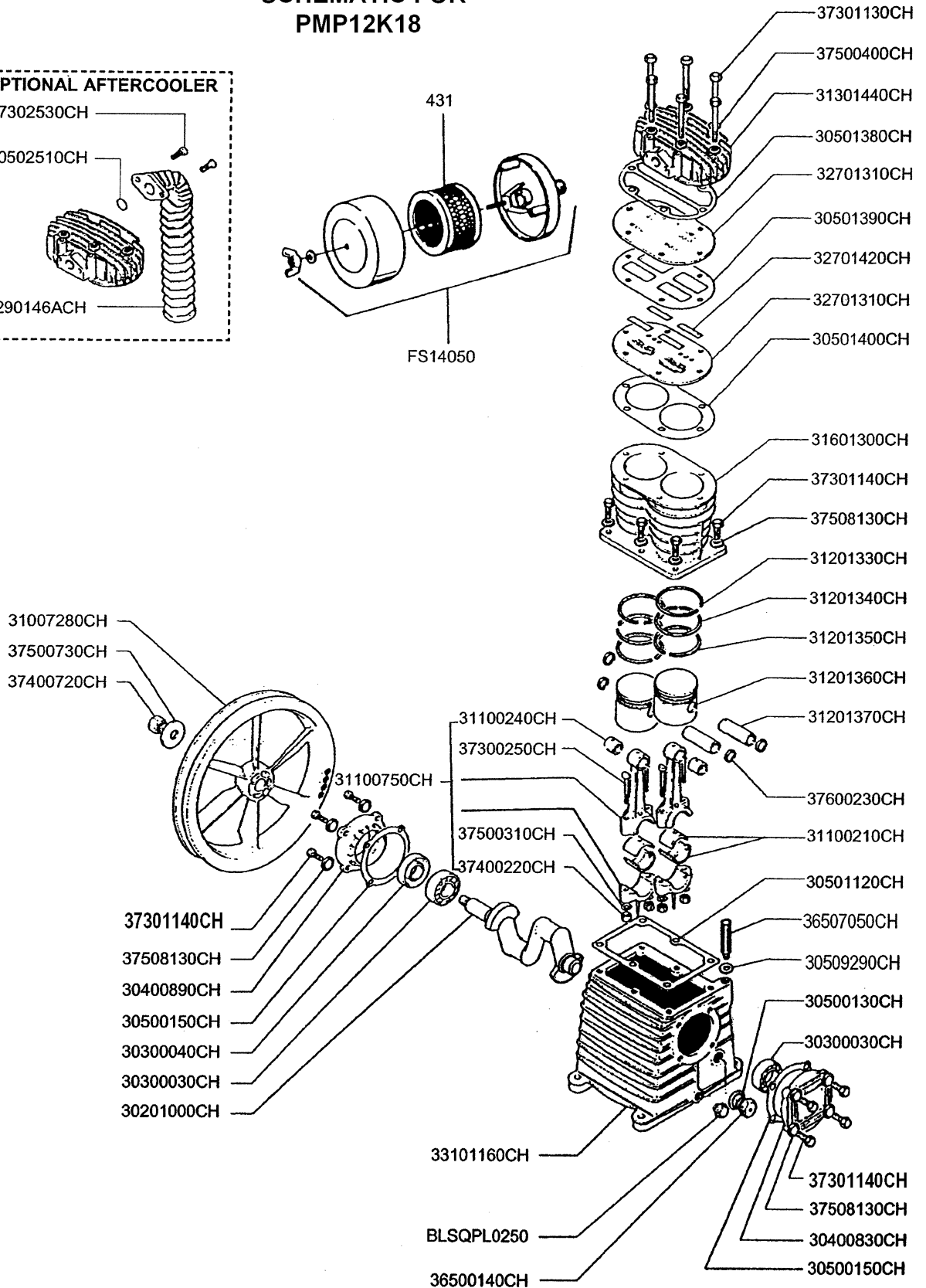
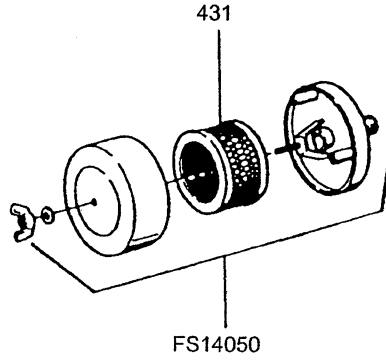
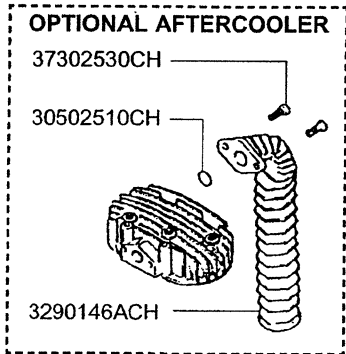
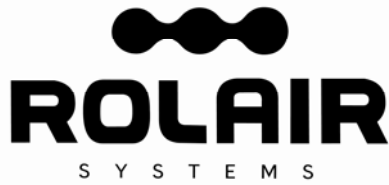


ROLAIR

SCHEMATIC FOR PMP12K18





ROLAIR SYSTEMS

606 S. Lake Street, P.O. Box 346
 Hustisford Wisconsin 53034-0346
 Phone: 920-349-3281
 Sales Fax: 920.349.3691
 Service Fax: 920.349.8861
www.rolair.com

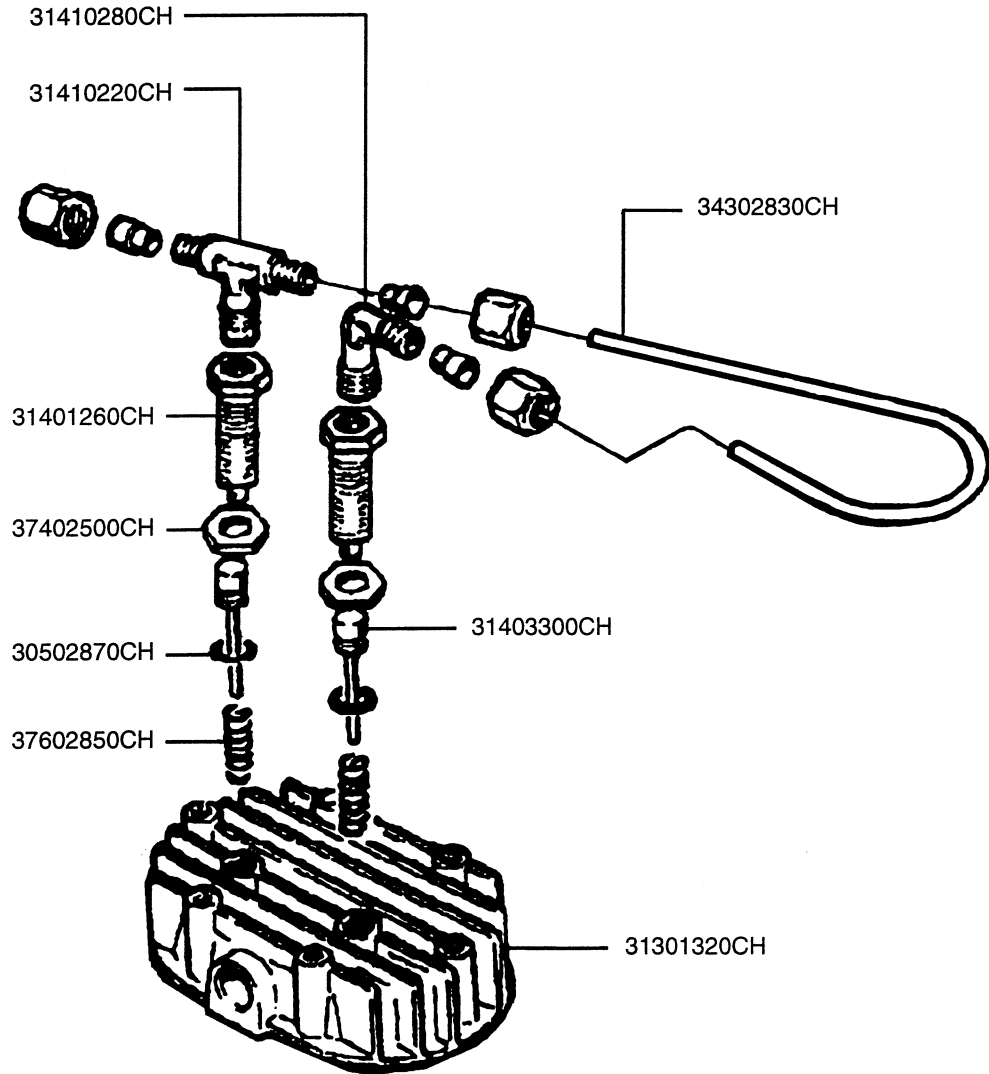
PARTS LIST FOR PMP12K18

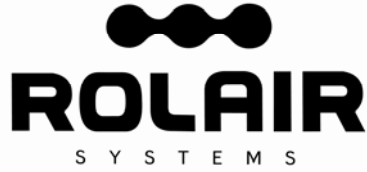
Description	Part #	Qty.
Crankshaft	30201000CH	1
Bearing	30300030CH	2
Oil Seal	30300040CH	1
Bearing Carrier	30400830CH	1
Bearing Carrier	30400890CH	1
Gasket	30500130CH	1
Gasket	30500150CH	2
O-Ring	30509290CH	1
Gasket	30501120CH	1
Gasket	30501380CH	1
Gasket	30501390CH	1
Gasket	30501400CH	1
Flywheel	31007280CH	1
Bearing Shell	31100210CH	2
Bushing*	31100240CH	2
Connecting Rod w/Upper Bushing	31100750CH	2
Ring	31201330CH	2
Ring	31201340CH	2
Ring	31201350CH	2
Piston	31201360CH	2
Piston Pin	31201370CH	2
Head	31301440CH	1
Cylinder	31601300CH	1
Valve Plate	32701310CH	2
Valve	32701420CH	4
Crankcase	33101160CH	1
Sight Gauge	36500140CH	1
3/8" Breather/Oil Fill Plug	36507050CH	1
Bolt	37300250CH	4
Bolt	37301130CH	6
Bolt	37301140CH	6
Nut	37400220CH	4
Nut	37400720CH	1
Washer	37500310CH	4
Washer	37500400CH	6
Washer	37500730CH	1
Washer	37508130CH	14
Snap Ring	37600230CH	4
Filter Element	431	1
Plug	BLSQPL0250	1
Silencer/Filter Assembly	FS14050	1
Ring Set	K18RINGS	1
Gasket Set	K18GASKETS	1
Valve Plate Assembly	1800VK18	1
OPTIONS-		
O-Ring	30502510CH	1
Aftercooler	3290146ACH	1
Bolt	37302530CH	2
NOTE: Gasket for "old-style" Aftercooler	30501490CH	1

*Bushing is not machined to fit piston pin if ordered separate from connecting rod.

ROLAIR

**SCHEMATIC FOR
PMP12K18HU**





ROLAIR SYSTEMS

606 S. Lake Street, P.O. Box 346
 Hustisford Wisconsin 53034-0346
 Phone: 920-349-3281
 Sales Fax: 920.349.3691
 Service Fax: 920.349.8861
www.rolair.com

PARTS LIST FOR PMP12K18HU

Description	Part #	Qty.
O-Ring	30502870CH	2
Cylinder Head	31301320CH	1
Reducer Sleeve	31401260CH	2
Unloading Piston	31403300CH	2
T-Connector w/Fittings	31410220CH	1
L-Connector w/Fittings	31410280CH	1
Pipe Connector	34302830CH	1
Head Bolt	37304800CH*	6
Nut	37402500CH	2
Spring	37602850CH	2
OPTIONAL: Complete Head Assembly with Unloader Parts Installed	31449920CH	1

*NOTE: Head bolts are not shown on HU Schematic.

Reference PMP12K18 schematic for all other components.