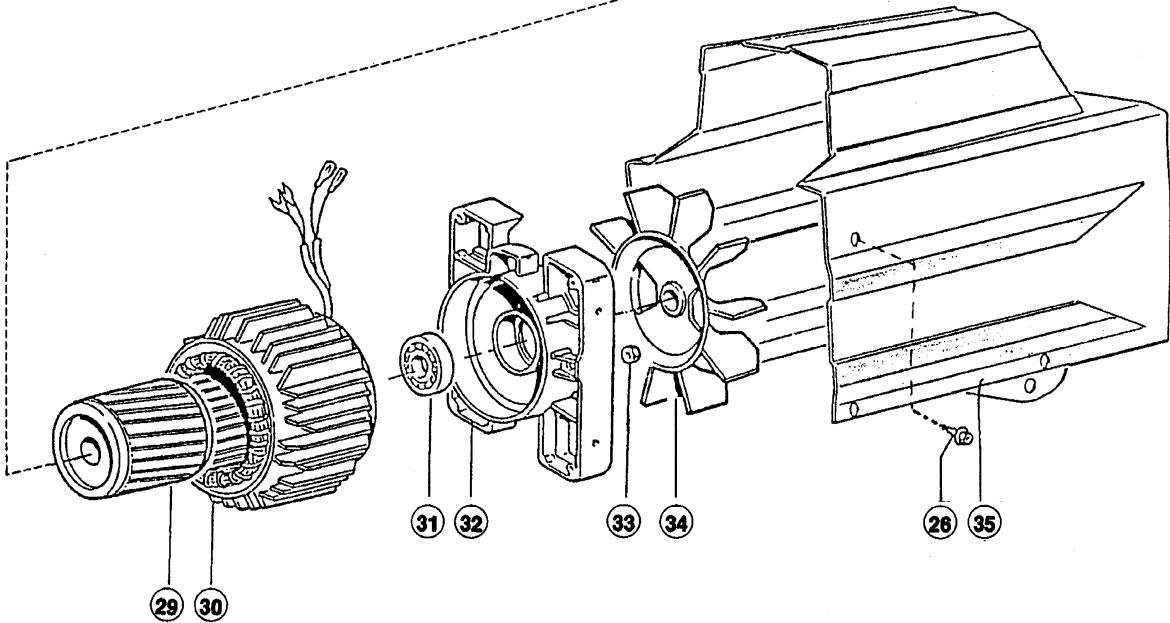
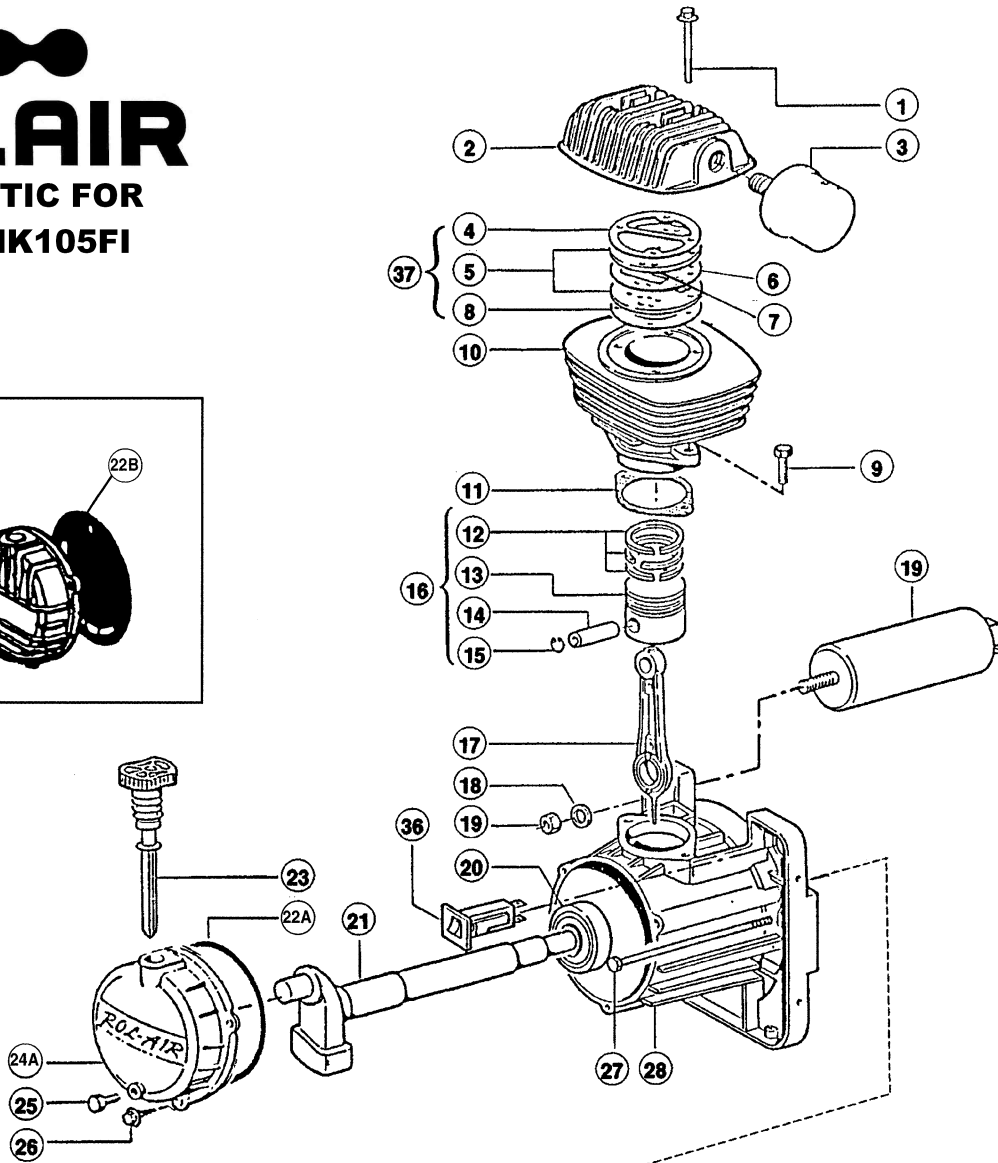
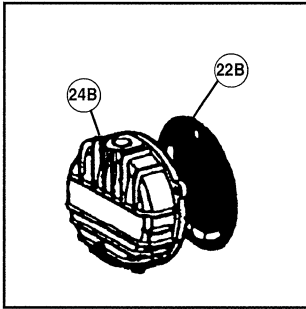


# ROLAIR

**SCHEMATIC FOR  
PMP11MK105FI**





**ROLAIR SYSTEMS**

606 S. Lake Street, P.O. Box 346  
 Hustisford Wisconsin 53034-0346  
 Phone: 920-349-3281  
 Sales Fax: 920.349.3691  
 Service Fax: 920.349.8861  
[www.rolair.com](http://www.rolair.com)

**PARTS LIST FOR PMP11MK105FI**

Schematic #	Description	Part #	Qty.
1	Bolt	014002021F	4
2	Head	116001005F	1
3	Intake Filter Assembly	317013000F	1
	Filter Element	317013004FE	1
4	Gasket	116022009F	1
5	Valve Plate	116022013F	2
6	Gasket	116022012F	1
7	Valve	116022038F	2
8	Gasket	116022010F	1
9	Bolt	MIS10049	2
10	Cylinder	116032060F	1
11	Gasket	116022029F	1
12	Ring Set	216022002F	1
13	Piston	116022004F	1
14	Piston Pin	116022040F	1
15	Snap Ring	015001000F	2
16	Piston Assembly	416022004F	1
17	Connecting Rod	116091021F	1
18	Washer	014005006F	1
19	Capacitor	009200026F	1
20	Bearing	033018000F	1
21	Crankshaft	116032006F	1
22A	O-Ring	010013000F	1
22B	Diaphragm	116001025F	1
23	Dipstick	012035000F	1
24A	Crankcase Cover	116022006F	1
24B	Crankcase Cover*	N.L.A.	1
25	Drain Plug	014013024F	1
26	Screw	014006121F	5
27	Bolt	116011038F	2
28	Motor Housing	116022051F	1
29	Rotor	116022026F	1
30	Stator	416053641F	1
31	Bearing	033005000F	1
32	End Bell	116011002F	1
33	Nut	014003002F	2
34	Fan	116001003F	1
35	Shroud	199657000F	1
36	Manual Reset Button	008017000F	1
37	Valve Plate Assembly	116022100F	1
	Gasket Set	216032001F	1

\*Use 116022006F cover and 1160012025F diaphragm