

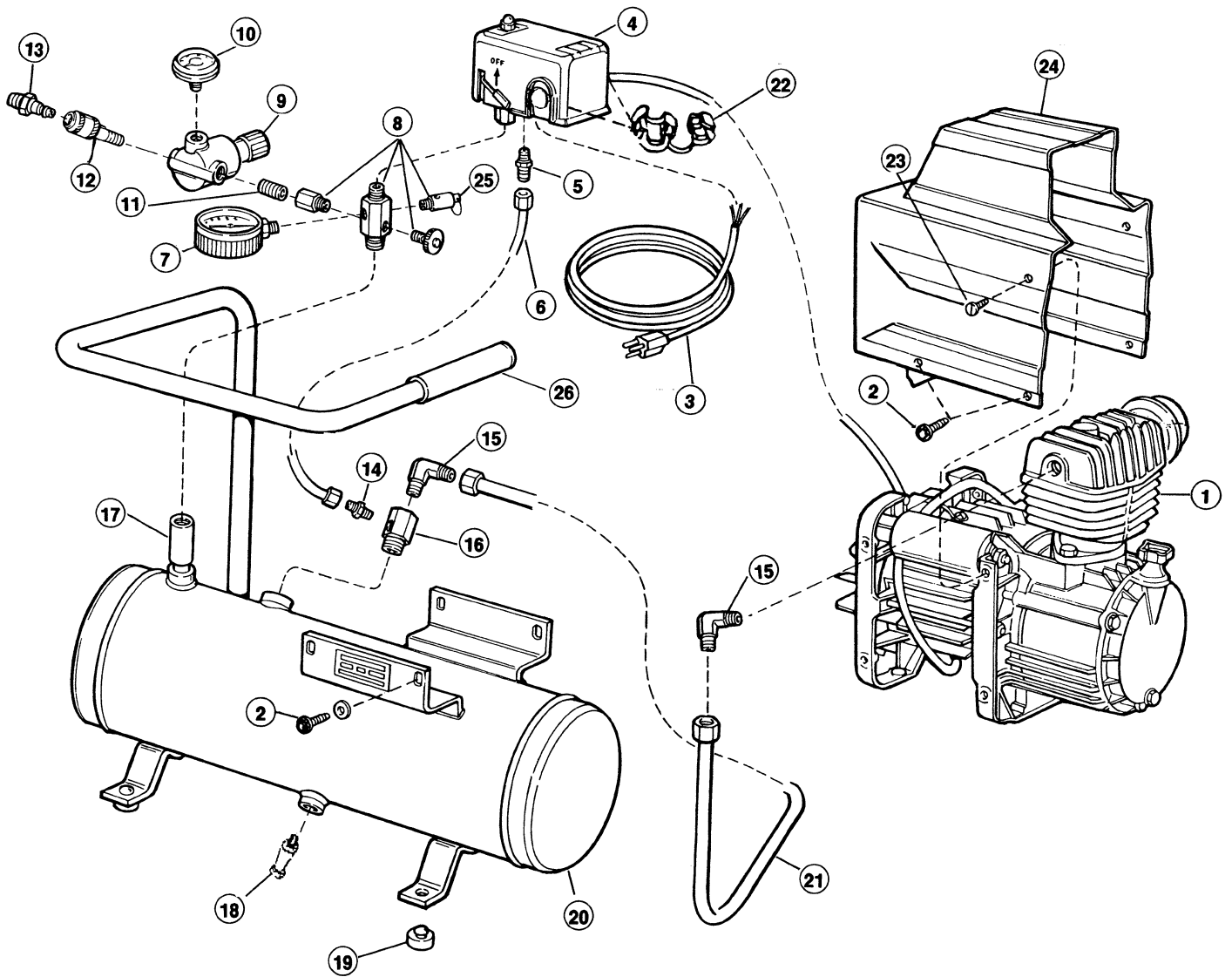


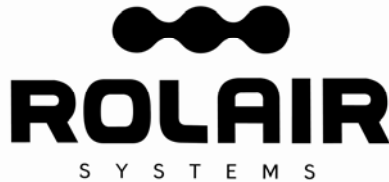
ROLAIR

SCHEMATIC FOR MODELS

D075LS3 D1500HS3

D075HS3






ROLAIR SYSTEMS

606 S. Lake Street, P.O. Box 346
Hustisford Wisconsin 53034-0346
Phone: 920-349-3281
Sales Fax: 920.349.3691
Service Fax: 920.349.8861
www.rolair.com

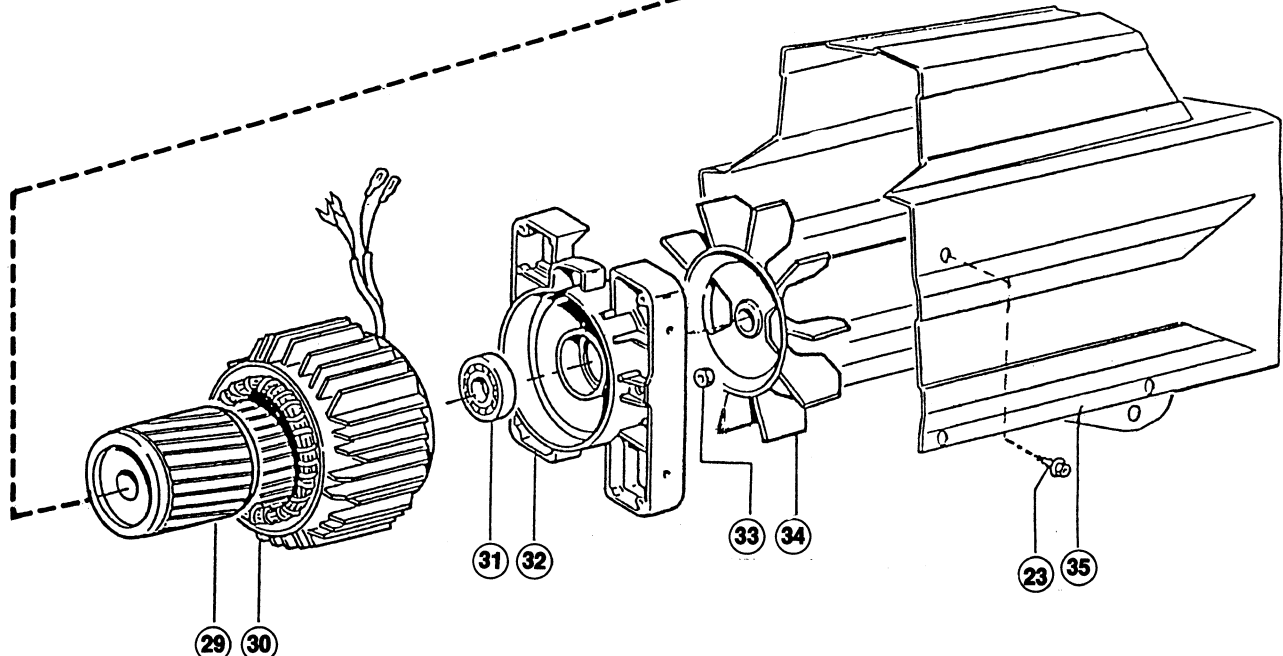
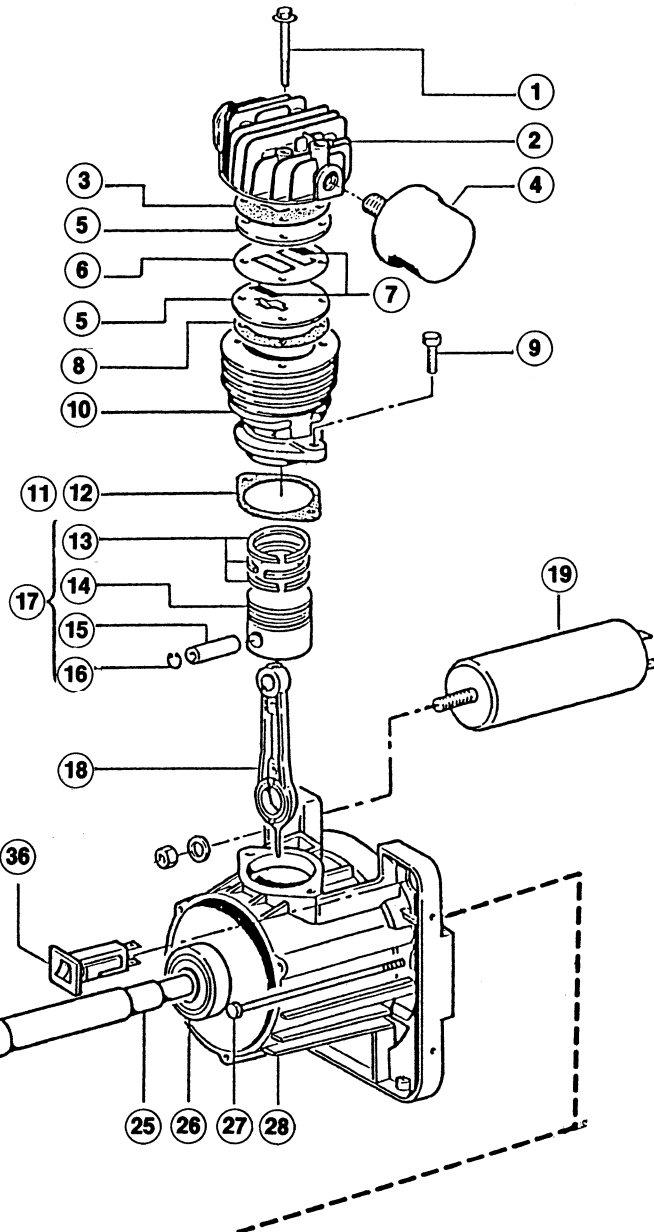
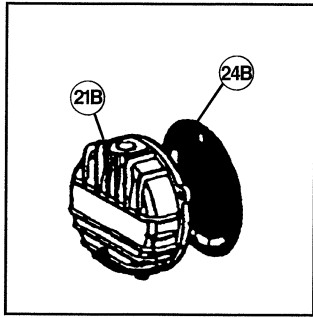
**PARTS LIST FOR MODELS
D075LS3 D075HS3 D1500HS3**

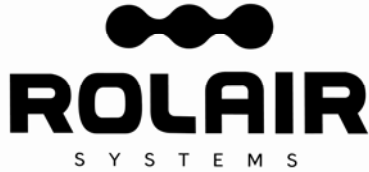
Schematic #	Description	Part #	Qty.
1	1 HP Pump Motor – Model D075HS3 1 HP Pump/Motor – Model D075LS3 2 HP Pump/Motor – Model D1500HS3	PMP11MK100FI PMP11MK105FI PMP11MK200FI	1 1 1
2	Screw	MIS10036	4
3	Cord w/Plug	176	1
4	Pressure Switch	PS2020	1
5	Pressure Switch Relief Valve	PS2020RV	1
6	¼" Nylon Tubing	Specify Model	1
7	Gauge – Tank	GA0250200	1
8	Brass Manifold	154A	1
9	Regulator	REG0250M	1
10	Gauge – Line	GA0125200	1
11	Nipple	BLNP0250X1500	1
12	Quick Disconnect	308	1
13	Coupler Plug	310	1
14	Brass Straight (D075LS3, D075HS3 Only)	BRST0250X012538	1
15	Brass Elbow (D075LS3, D075HS3 Only) (D1500HS3 Only)	BREL0375X037539 BREL0500X037539	1 1
16	Check Valve (D1500HS3 Only) w/Bleeder Valve Bleeder Valve All Other Models	CV3X4TWB CSV0125 CV3X4T	1 1 1
17	Coupling	BLCP0500	1
18	Drain Valve	132B	1
19	Rubber Foot	218	4
20	Tank Assembly	TNKASYS3	1
21	3/8" Copper Tube (D075LS3, D075HS3) ½" Copper Tube (D1500HS3)	Specify Model Specify Model	1 1
22	Box Connector	160	2
23	Screw	014006121F	2
24	Shroud	199657000F	1
25	Safety Valve	Consult Factory	1
26	Handle Grip Intake Filter Assembly Filter Element	328 317013000F 317013004FE	1



ROLAIR

SCHEMATIC FOR
PMP11MK100FI





ROLAIR SYSTEMS

606 S. Lake Street, P.O. Box 346
 Hustisford Wisconsin 53034-0346
 Phone: 920-349-3281
 Sales Fax: 920.349.3691
 Service Fax: 920.349.8861
www.rolair.com

PARTS LIST FOR PMP11MK100FI

Schematic #	Description	Part #	Qty.
1	Bolt	014002021F	4
2	Head	116034010F	1
3	Gasket	116011037F	1
4	Intake Filter Assembly	317013000F	1
	Filter Element	317013004FE	1
5	Valve Plate	116011020F	2
6	Gasket	113113036F	1
7	Valve	113113005F	2
8	Gasket	113113034F	1
9	Bolt	MIS10049	2
10	Cylinder	116034006F	1
11	Gasket – if manufactured before 6/97	116022023F	1
12	O-Ring – if manufactured before 6/97	010114000F	1
13	Ring Set	216011003F	1
14	Piston	116011027F	1
15	Piston Pin	113113003F	1
16	Snap Ring	015001000F	2
17	Piston Assembly	416011027F	1
18	Connecting Rod	116091021F	1
19	Capacitor	009200026F	1
20	Dipstick	012036000F	1
21A	Crankcase Cover	116022006F	1
21B	Crankcase Cover*	N.L.A.	
22	Drain Plug	014013024F	1
23	Screw	014006121F	11
24A	O-Ring	010013000F	1
24B	Diaphragm	116001025F	1
25	Crankshaft	116034004F	1
26	Bearing	033018000F	1
27	Bolt	116011038F	2
28	Motor Housing	116022051F	1
29	Rotor	116034001F	1
30	Stator	416085641F	1
31	Bearing	033005000F	1
32	End Bell	116011002F	1
33	Nut	014003002F	2
34	Fan	116001003F	1
35	Shroud	119100070F	1
36	Manual Reset Button	008015000F	1
	Gasket Set	216085001F	1

*Use 116022006F cover and 116001025F diaphragm