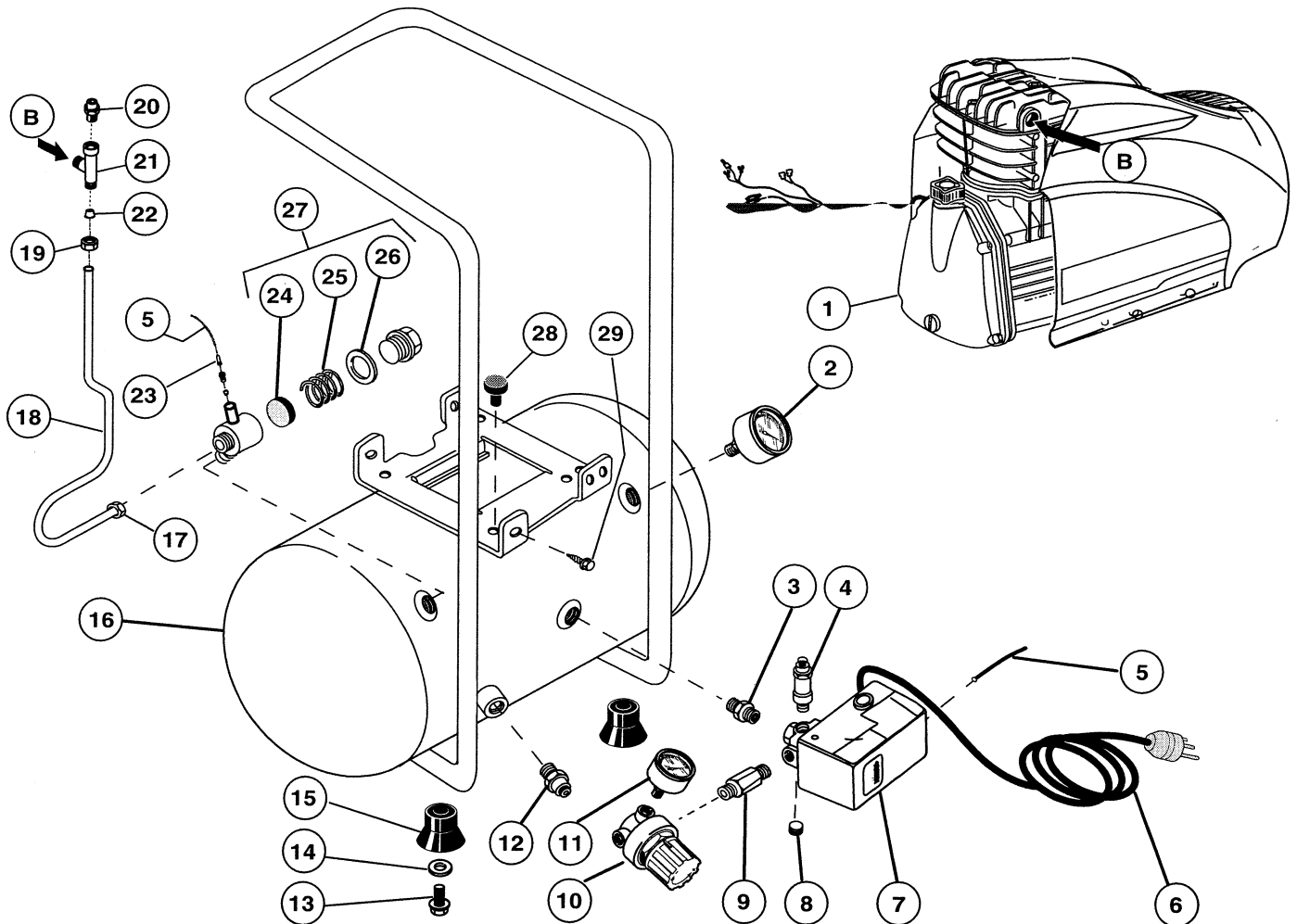




ROLAIR

SCHEMATIC FOR MODEL
FC1500HBP2






ROLAIR SYSTEMS

606 S. Lake Street, P.O. Box 346
 Hustisford Wisconsin 53034-0346
 Phone: 920-349-3281
 Sales Fax: 920.349.3691
 Service Fax: 920.349.8861
www.rolair.com

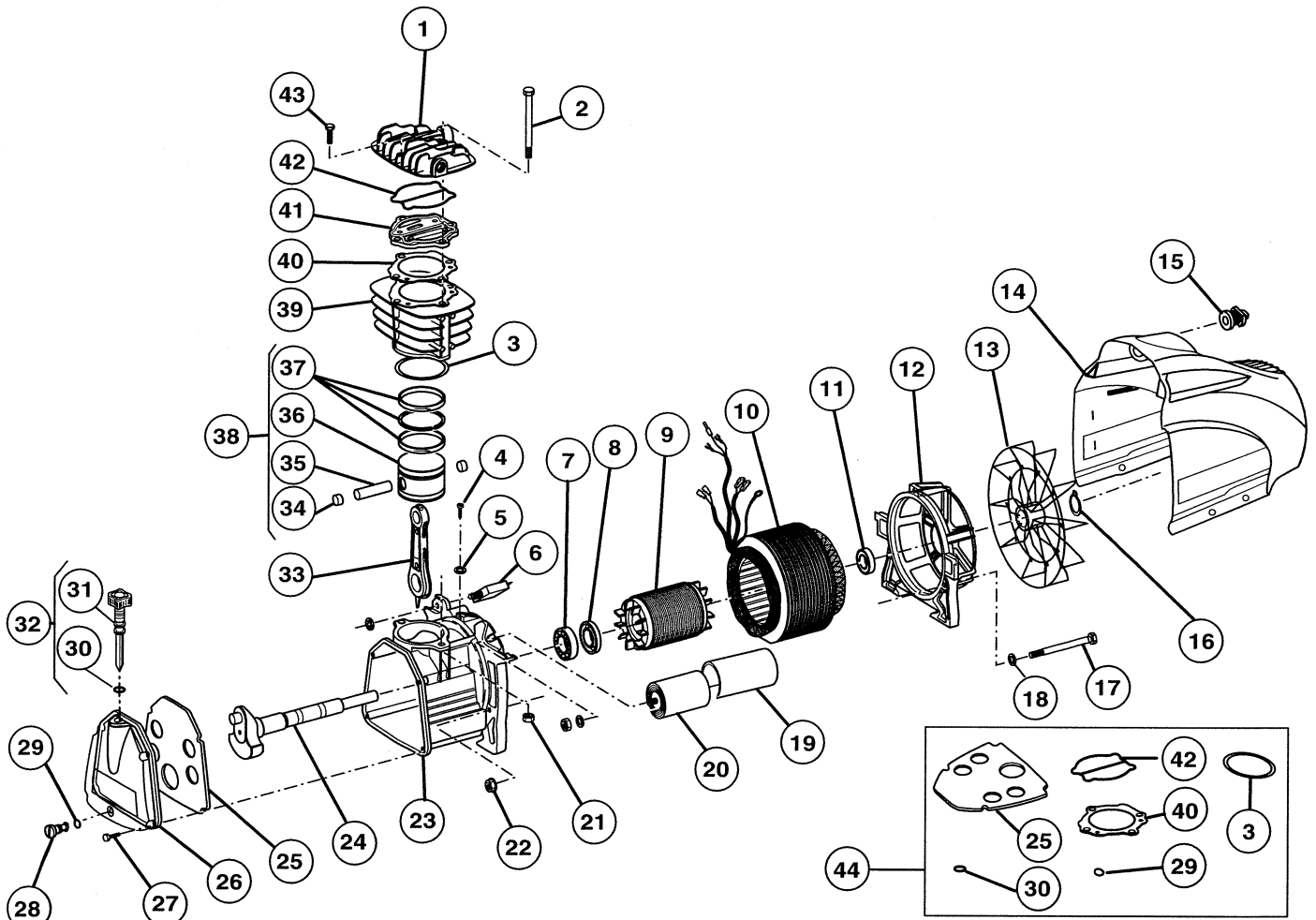
PARTS LIST FOR FC1500HBP2

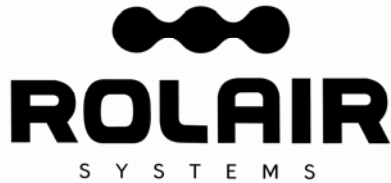
| Schematic # | Description | Part # | Qty. |
|-------------|--------------------|---------------|------|
| 1 | 1.5 HP Pump/Motor | PMP11SF2500FC | 1 |
| 2 | Gauge – Tank | FC330052000 | 1 |
| 3 | Nipple | FC011017000 | 1 |
| 4 | Safety Valve | FC047027001 | 1 |
| 5 | Nylon Tubing | FC046001000 | 1 |
| 6 | Cord w/Plug | FC164A08300 | 1 |
| 7 | Pressure Switch | FC321054000 | 1 |
| 8 | Plug | FC011018000 | 1 |
| 9 | Nipple | FC011017001 | 1 |
| 10 | Regulator | FC319108000 | 1 |
| 11 | Gauge – Line | FC330006000 | 1 |
| 12 | Drain Valve | FC022029000 | 1 |
| 13 | Screw | FC014013004 | 4 |
| 14 | Washer | FC014005004 | 4 |
| 15 | Rubber Foot | FC199968000 | 4 |
| 16 | Tank Assembly | FC126HQ0010 | 1 |
| 17 | Lock Nut | FC199437000 | 1 |
| 18 | Discharge Tube | FC168HQ0009 | 1 |
| 19 | Lock Nut | FC011117002 | 1 |
| 20 | Bleeder Valve | FC011158000 | 1 |
| 21 | Discharge Tee | FC199617000 | 1 |
| 22 | Ring | FC011117000 | 1 |
| 23 | Brass Sleeve | FC011304000 | 1 |
| 24 | Seal | FC047113001 | 1 |
| 25 | Spring | FC047113002 | 1 |
| 26 | O-Ring | FC010041000 | 1 |
| 27 | Check Valve | FC347043000 | 1 |
| 28 | Vibration Dampener | FC199575000 | 4 |
| 29 | Screw | FC014013042 | 4 |



ROLAIR

SCHMATIC FOR
PMP11SF2500FC





ROLAIR SYSTEMS

606 S. Lake Street, P.O. Box 346
Hustisford Wisconsin 53034-0346
Phone: 920-349-3281
Sales Fax: 920.349.3691
Service Fax: 920.349.8861
www.rolair.com

PARTS LIST FOR PMP11SF2500FC

| Schematic # | Description | Part # | Qty. |
|-------------|----------------------|---------------|------|
| 1 | Head | FC116120015 | 1 |
| 2 | Bolt | FC014001071 | 2 |
| 3 | O-Ring | FC010133001 | 1 |
| 4 | Screw | FC014013001 | 1 |
| 5 | Lock Washer | FC014008006 | 1 |
| 6 | Manual Reset Button | FC008331000 | 1 |
| 7 | Bearing | FC033082000 | 1 |
| 8 | Seal | FC010132000 | 1 |
| 9 | Rotor | FC134135000 | 1 |
| 10 | Stator | FC316122652 | 1 |
| 11 | Bearing | FC033005000 | 1 |
| 12 | End Bell | FC116120007 | 1 |
| 13 | Fan | FC116120008 | 1 |
| 14 | Shroud | FC280801021 | 1 |
| 15 | Filter Element | FC317064000 | 1 |
| 16 | C-Clip | FC015083000 | 1 |
| 17 | Bolt | FC014002124 | 3 |
| 18 | Lock Washer | FC014008004 | 3 |
| 19 | Capacitor Cover | FC116034013 | 1 |
| 20 | Capacitor | FC009200075 | 1 |
| 21 | Nut | FC014003001 | 2 |
| 22 | Nut | FC161190010 | 3 |
| 23 | Crankcase | FC116120006 | 1 |
| 24 | Crankshaft | FC116120023 | 1 |
| 25 | Diaphragm | FC116120030 | 1 |
| 26 | Crankcase Cover | FC016120003 | 1 |
| 27 | Screw | FC014006024 | 4 |
| 28 | Drain Plug | FC014013024 | 1 |
| 29 | O-Ring | FC010072000 | 1 |
| 30 | O-Ring | FC010024000 | 1 |
| 31 | Dipstick | FC012043000 | 1 |
| 32 | Dipstick with O-Ring | FC312043000 | 1 |
| 33 | Connecting Rod | FC116091021 | 1 |
| 34 | Snap Ring | FC015001000 | 2 |
| 35 | Piston Pin | FC116022040 | 1 |
| 36 | Piston | FC116022004 | 1 |
| 37 | Ring Set | FC216022003 | 1 |
| 38 | Piston Assembly | FC416022004 | 1 |
| 39 | Cylinder | FC116HT0101 | 1 |
| 40 | Gasket | FC116HT0003 | 1 |
| 41 | Valve Plate | FC116120200 | 1 |
| 42 | Gasket | FC116120014 | 1 |
| 43 | Bolt | FC014013031 | 2 |
| 44 | Gasket Set | FC216120004 | 1 |
| | 1.5 HP Pump/Motor | PMP11SF2500FC | 1 |