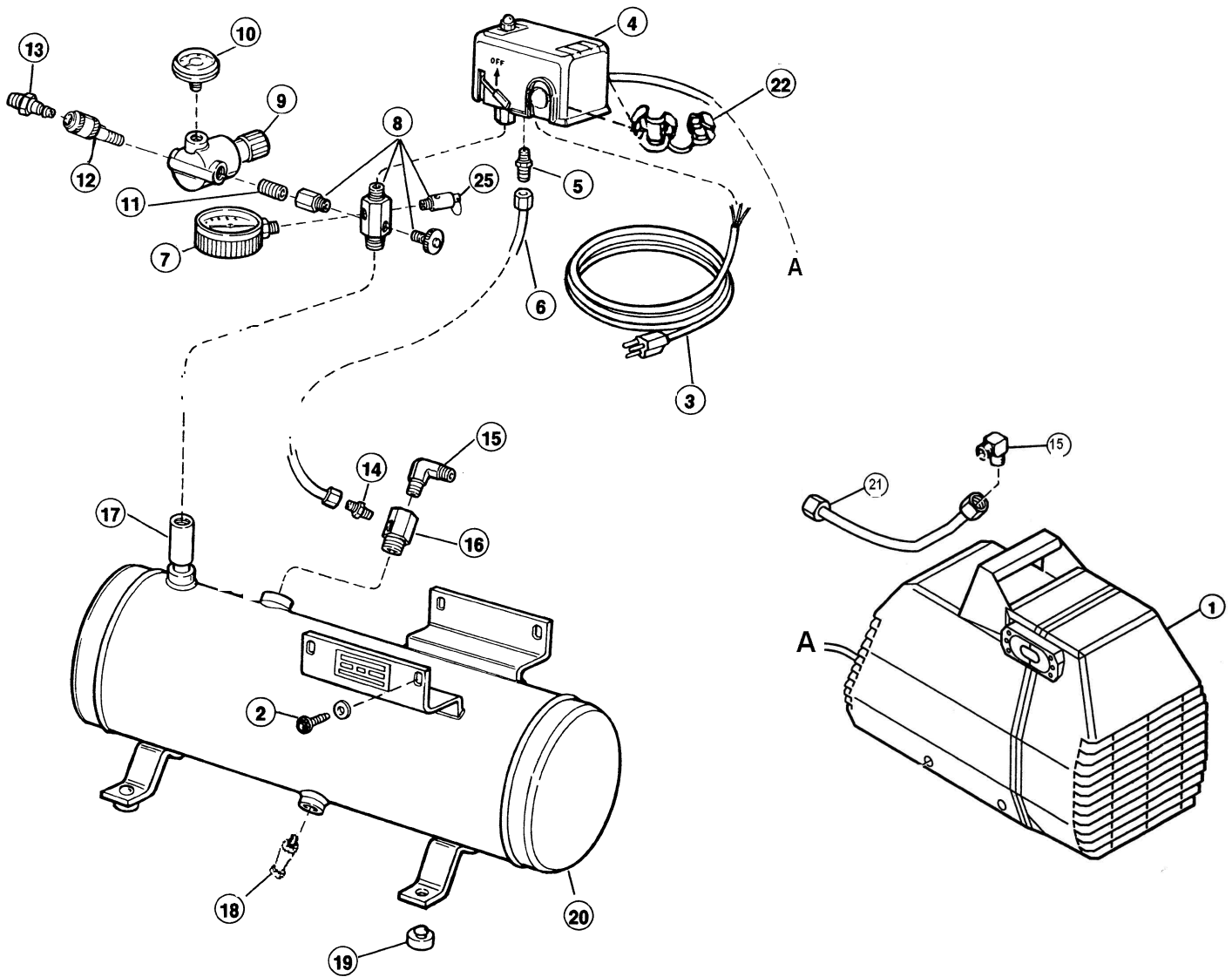
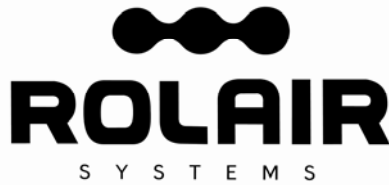
  
**ROLAIR**  
SCHEMATIC FOR MODEL  
OD1500HS3





**ROLAIR SYSTEMS**

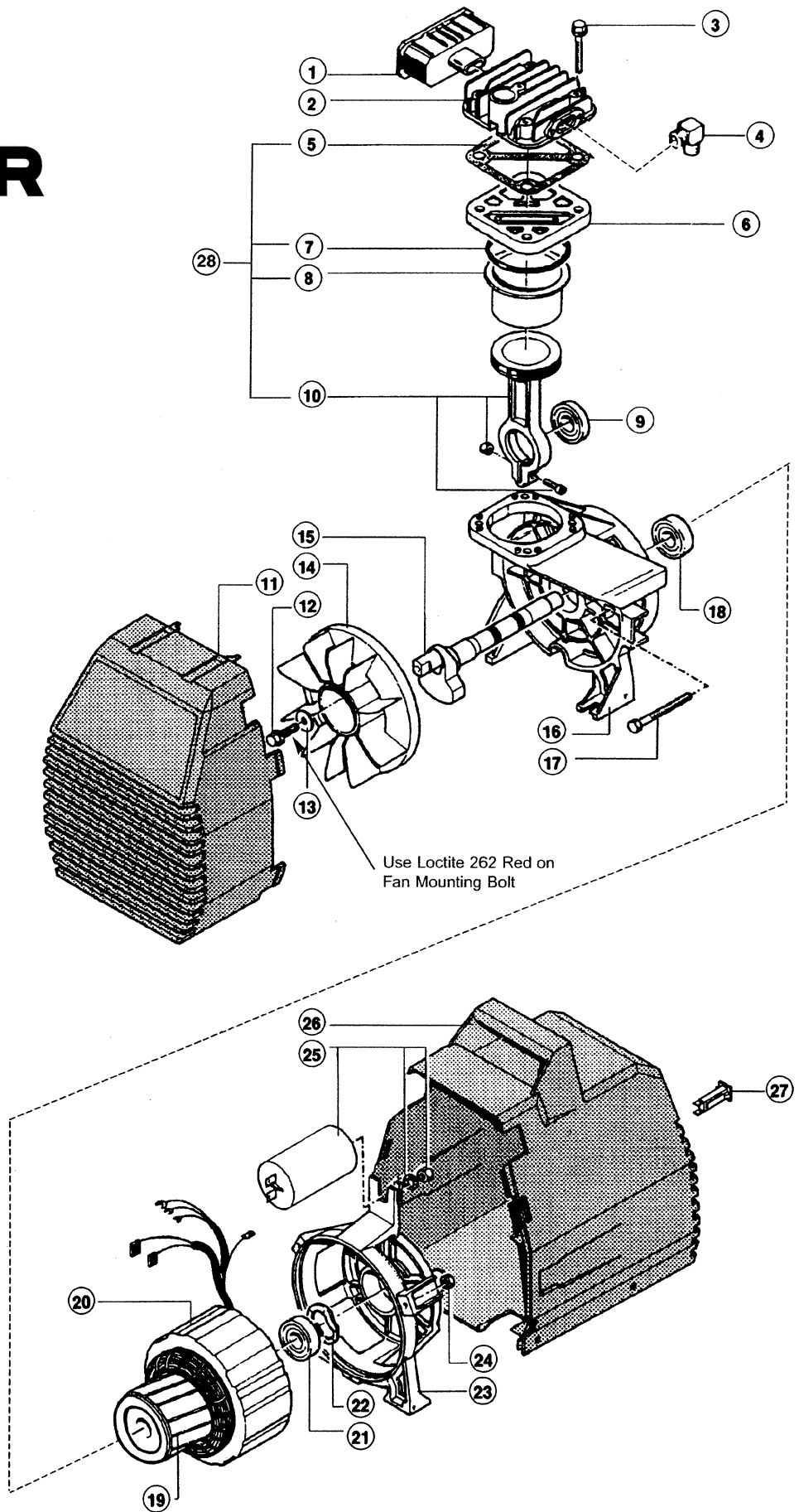
606 S. Lake Street, P.O. Box 346  
Hustisford Wisconsin 53034-0346  
Phone: 920-349-3281  
Sales Fax: 920.349.3691  
Service Fax: 920.349.8861  
[www.rolair.com](http://www.rolair.com)

**PARTS LIST FOR MODEL OD1500HS3**

Schematic #	Description	Part #	Qty.
1	2 HP Pump Motor	PMP110L202FI	1
2	Screw	MIS10036	4
3	Cord w/Plug	176	1
4	Pressure Switch	PS2020	1
5	Pressure Switch Relief Valve	PS2020RV	1
6	¼" Nylon Tubing – 15"	178D	1.25'
	Brass Nut	BRNT0250	2
	Brass Ring	BRRG0250	2
	Brass Sleeve	BRSL0250	2
7	Gauge – Tank	GA0250200GC	1
8	Brass Manifold	154A	1
9	Regulator	REG0250M	1
10	Gauge – Line	GA0125200GC	1
11	Nipple	BLNP0250X1500	1
12	Quick Disconnect	308	1
13	Coupler Plug	310	1
14	Brass Straight	BRST0250X012538	1
15	Brass Elbow	BREL0500X037539	2
16	Check Valve	CV3X4TWB	1
17	Coupling	BLCP0500	1
18	Drain Valve	132B	1
19	Rubber Foot	218	4
20	Tank Assembly	CONSULT FACTORY	1
21	1/2" Copper Tube	CONSULT FACTORY	1
22	Box Connector	160	2
25	Safety Relief Valve	N.L.A.*	1

\*Order Brass Manifold 154A

**ROLAIR**  
SCHEMATIC FOR  
PMP110L202FI





**ROLAIR SYSTEMS**

606 S. Lake Street, P.O. Box 346  
 Hustisford Wisconsin 53034-0346  
 Phone: 920-349-3281  
 Sales Fax: 920.349.3691  
 Service Fax: 920.349.8861  
[www.rolair.com](http://www.rolair.com)

**PARTS LIST FOR PMP110L202FI**

Schematic #	Description	Part #	Qty.
1	Intake Filter	317028000F	1
2	Head	116005031F	1
3	Bolt	014013027F	4
4	Brass Elbow	BREL0500X037539	1
5	Gasket	116005017F	1
6	Valve Plate Assembly	416005009F	1
7	O-Ring	010057000F	1
8	Cylinder	016005007F	1
9	Bearing	033059000F	1
10	Connecting Rod/Piston Assembly	416005002F	1
11	Fan Cover	116005010F	1
12	Bolt	014002027F	1
13	Washer	116010013F	1
14	Fan	116010004F	1
15	Crankshaft	116010006F	1
16	Crankcase	016010025F	1
17	Bolt	014002122F	3
18	Bearing	033028000F	1
19	Rotor	034128000F	1
20	Stator	316006641F	1
21	Bearing	033070000F	1
22	Ring	027011000F	1
23	Motor Housing	016010016F	1
24	Nut	014004001F	1
25	Capacitor	009200035F	1
26	Shroud	116005030F	1
27	Manual Reset Button	008055000F	1
28	Repair Kit Includes: O-Ring, Cylinder, Gasket, Piston (Items 5,7,8 & 10)	OL202REPKIT	1