



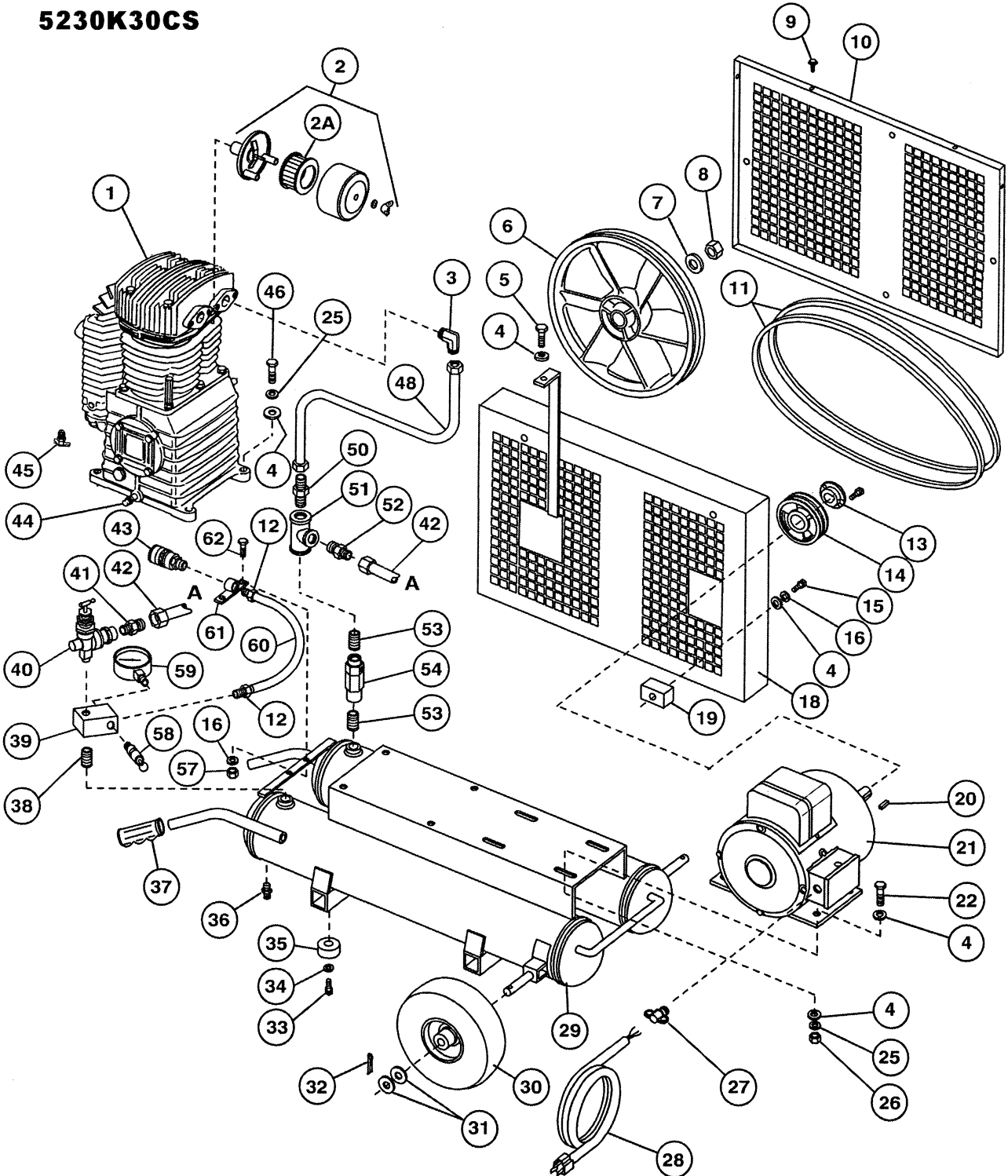
# ROLAIR

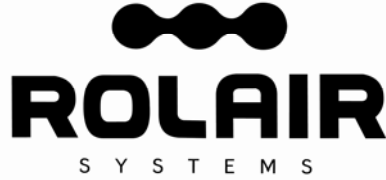
**SCHEMATIC FOR MODELS**

**3230K24CS**

**4230K28CS**

**5230K30CS**





**ROLAIR SYSTEMS**

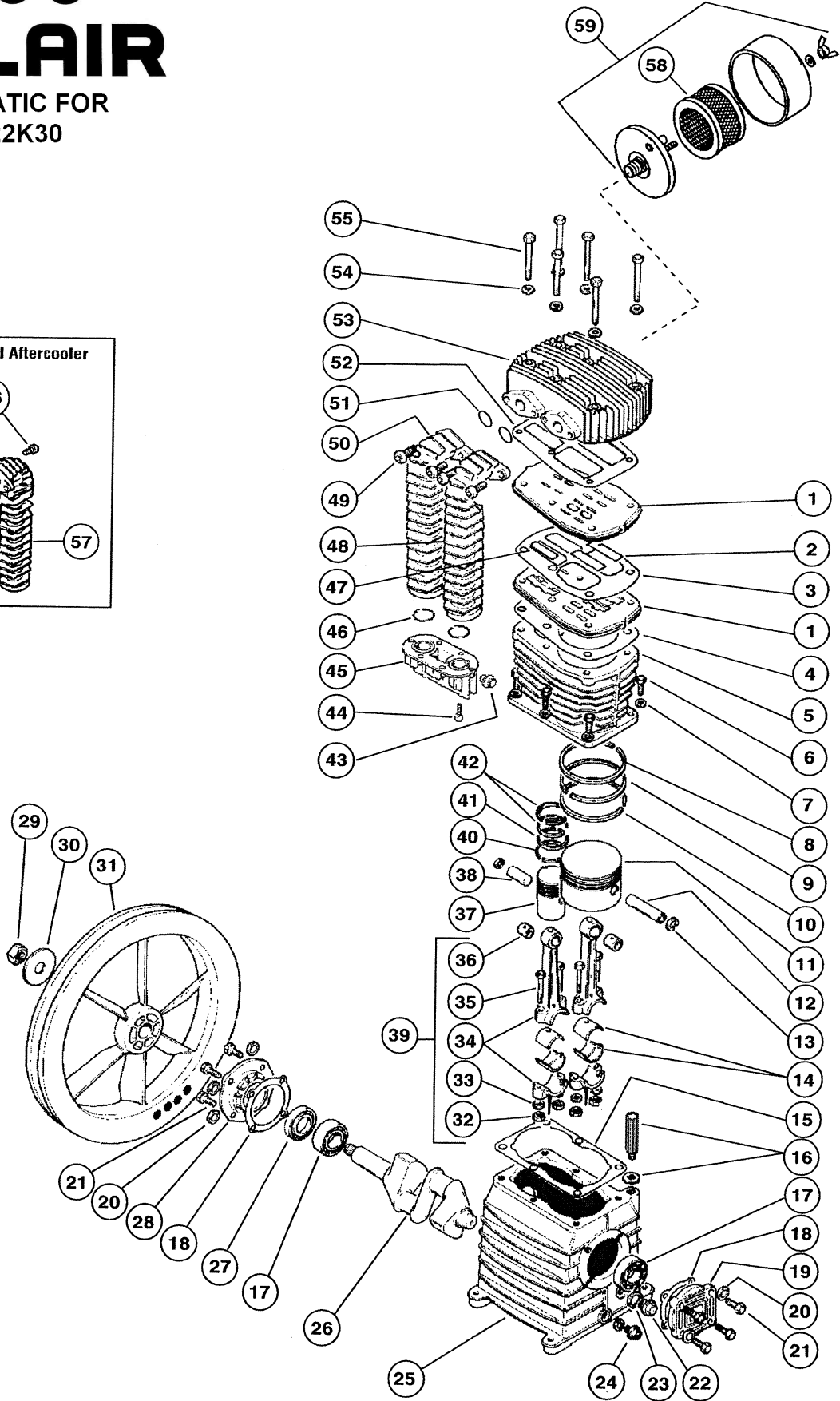
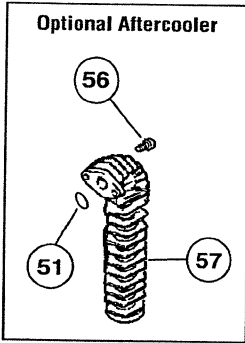
606 S. Lake Street, P.O. Box 346  
 Hustisford Wisconsin 53034-0346  
 Phone: 920-349-3281  
 Sales Fax: 920.349.3691  
 Service Fax: 920.349.8861  
[www.rolair.com](http://www.rolair.com)

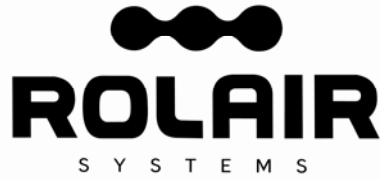
**PARTS LIST FOR MODELS  
 3230K24CS, 4230K28CS & 5230K30CS**

Schem #	Description	Part #	Qty.	Schem #	Description	Part #	Qty.
1	II Stage Pump w/Flywheel – Model 5230K30CS	PMP22K30CH	1	20	Keystock	MIS10096C	1
	II Stage Pump w/Flywheel – Model 3230K24CS	PMP22K24CH	1	21	5 HP Motor w/Overload – Model 5230K30CS	MTRG105	1
	II Stage Pump w/Flywheel – Model 4230K28CS	PMP22K28CH	1		3 HP Motor – Models 3230K24CS & 4230K28CS	MTRE101	1
2	Silencer/Filter Assembly – Models 5230K30CS & 4230K28CS	FS14075	1	22	Bolt	MIS10041	4
		FS14050	1	25	Lock Washer	MIS10100	4
	Silencer/Filter Assembly – Model 3230K24CS	431	1	26	Nut	MIS10040	4
				27	Box Connector	161	1
2A	Replacement Filter Element for Above	431	1	28	Cord w/220V Plug	175	1
3	Brass Elbow	BREL0750X075039	1	29	Twin Tank Assembly – Model 5230K30CS	TNKASSY5230K30	1
4	Washer	MIS10103	10		Twin Tank Assembly – Models 3230K24CS & 4230K28CS	TNKASSY3230K24	1
5	Bolt – Models 5230K30CS & 4230K28CS	37308060CH	1	30	Fully-Pneumatic Tire w/Sealant	WLS30SEAL	2
	Bolt – Model 3230K24CS	37301130CH	1	31	Washer	MIS10104	4
6	Flywheel – Model 3230K24CS & 4230K28CS	31004620CH	1	32	Cotter Pin	181B	2
		31003040CH	1	33	Screw	MIS10008	4
7	Washer – Models 5230K30CS & 4230K28CS	37502450CH	1	34	Washer	MIS10102	4
		37500730CH	1	35	Rubber Foot	219	4
8	Nut – Models 5230K30CS & 4230K28CS	37403780CH	1	36	Drain Valve	132BV	2
		37400720CH	1	37	Handle Grip	328	2
	Nut – Model 3230K24CS	37400720CH	1	38	Nipple	BLNP0500X1500	1
				39	Aluminum Block Manifold	154	1
9	Bolt	MIS10094	5	40	Pilot Unloader Valve	131BIG	1
10	Belt Guard Cover	BG8423	1	41	Brass Straight	BRST0500X025038	1
11	Belt	BTA63	2	42	½" Copper Tubing – Specify Model	MIS11101C	1.2'
12	Brass Coupler	BRCP0375X0375H12	2	43	Quick Disconnect	309A	1
13	Bushing	H1X1.125	1	44	Nipple – Cap #BLCA0250	BLNP0250X1500	1
14	Pulley	PU2BK80H	1	45	Drain Valve	132	1
15	Bolt	MIS10023	2	46	Bolt	MIS10043	4
16	Lock Washer	MIS10099	4	48	¾" Copper Tubing – Specify Model	MIS11102A	3'
				50	Brass Straight	BRST0750X050038	1
18	Belt Guard Assembly – Models 3230K24CS & 4230K28CS	BG3230K24ASSY	1	51	Tee	BLTE0500	1
				Belt Guard Assembly – Model 5230K30CS	BG5230K30ASSY	1	52
Aluminum Spacer	MTL1002	2	53				Nipple
			Aluminum Spacer	MTL1002	2	54	Check Valve
Aluminum Spacer	MTL1002	2				57	Nut
			Aluminum Spacer	MTL1002	2	58	Safety Relief Valve
Aluminum Spacer	MTL1002	2				59	Gauge – Tank
			Aluminum Spacer	MTL1002	2	60	3/8" Rubber Hose – 16"
Aluminum Spacer	MTL1002	2				61	Accessory Bracket
			Aluminum Spacer	MTL1002	2	62	Bolt

# ROLAIR

SCHMATIC FOR  
PMP22K30





**ROLAIR SYSTEMS**

606 S. Lake Street, P.O. Box 346  
 Hustisford Wisconsin 53034-0346  
 Phone: 920-349-3281  
 Sales Fax: 920.349.3691  
 Service Fax: 920.349.8861  
[www.rolair.com](http://www.rolair.com)

**PARTS LIST FOR PMP22K30**

Schem. #	Description	Part #	Qty.	Schem. #	Description	Part #	Qty.
1	Valve Plate	32702750CH	2	36	Bushing*	31102250CH	2
2	Valve - LP	32702400CH	4	37	Piston - HP	31203050CH	1
3	Gasket	30502280CH	1	38	Piston Pin - HP	31202240CH	1
4	Gasket	30502290CH	1	39	Connecting Rod Assy.	31101990CH1	2
5	Cylinder	31602020CH	1	40	Ring - HP	31202210CH	1
6	Bolt	37302420CH	6	41	Ring - HP	31202200CH	1
7	Washer	37504220CH	6	42	Ring - HP	31203390CH	2
8	Ring - LP	31202160CH	1	43	Plug	36506800CH	1
9	Ring - LP	31202170CH	1	44	Bolt	37302480CH	6
10	Ring - LP	31202180CH	1	45	Connector	3690211ACH	1
11	Piston - LP	31202190CH	1	46	O-Ring	30502400CH	2
12	Piston Pin - LP	31202230CH	1	47	Valve - HP	32702390CH	2
13	Snap Ring	37602260CH	4	48	Right Intercooler	32902720CH	1
14	Bearing Shell	31102130CH	2	49	Bolt	37302530CH	4
15	Gasket	30502300CH	1	50	Left Intercooler	32902710CH	1
16	3/8" Breather/Oil Fill Plug	36507050CH	1	51	O-Ring	30502500CH	2
				52	Gasket	30502270CH	1
17	Bearing	30302140CH	2	53	Head	31302700CH	1
18	Gasket	30502310CH	2	54	Washer	37502320CH	6
19	Bearing Carrier	30402740CH	1	55	Bolt	37308060CH	6
20	Washer	37508130CH	8	56	Bolt	37302530CH	2
21	Bolt	37301140CH	8	57	Aftercooler	32902730CH	1
22	Sight Gauge	36500140CH	1	58	Filter Element	431	1
23	Gasket	30500130CH	1	59	Silencer/Filter Assembly	FS14075	1
24	Plug	BLSQPL0250	1		<b>KITS</b>		
25	Crankcase	33102030CH	1		Gasket Set (3,4,15,18,23,52)	K30GASKETS	1
26	Crankshaft	30202000CH	1		Ring Set (8,9,10,40,41,42)	K30RINGS	1
27	Oil Seal	30302150CH	1		Valve Plate Assembly (1,2,3,4,47,52)	3000VK30	1
28	Bearing Carrier	30402800CH	1		Piston Assembly - LP (8,9,10,11,12,13)	3000PLPK30	1
29	Nut	37403780CH	1		Piston Assembly - HP (13,37,38,40,41,42)	3000PHPK30	1
30	Washer	37502450CH	1				
31	Flywheel	31003040CH	1				
32	Nut	37402590CH	4				
33	Washer	17500230CH	4				
34	Connecting Rod w/Upper Bushing	31101990CH	2				
35	Bolt	37302460CH	4				

\*Bushing is not machined to fit piston pin if ordered separate from connecting rod and must be bored to .005" over O.D. of piston pin after being pressed into place.