

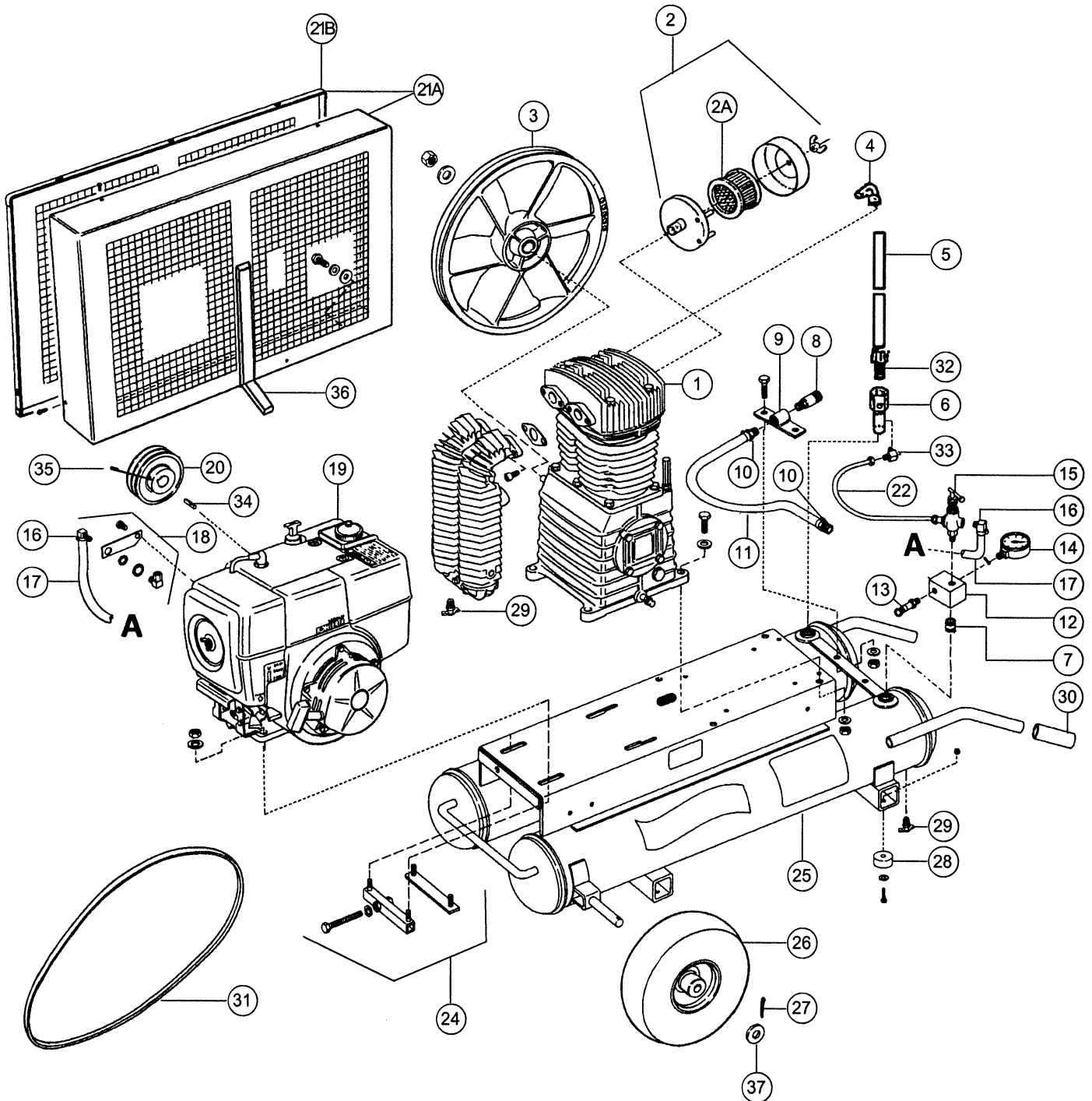
# ROLAIR

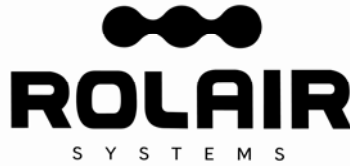
SCHEMATIC FOR MODELS

7722HK28

8422K30

8422HK30





**ROLAIR SYSTEMS**

606 S. Lake Street, P.O. Box 346  
 Hustisford Wisconsin 53034-0346  
 Phone: 920-349-3281  
 Sales Fax: 920.349.3691  
 Service Fax: 920.349.8861  
 www.rolair.com

**PARTS LIST FOR MODELS  
 7722HK28 8422K30 8422HK30**

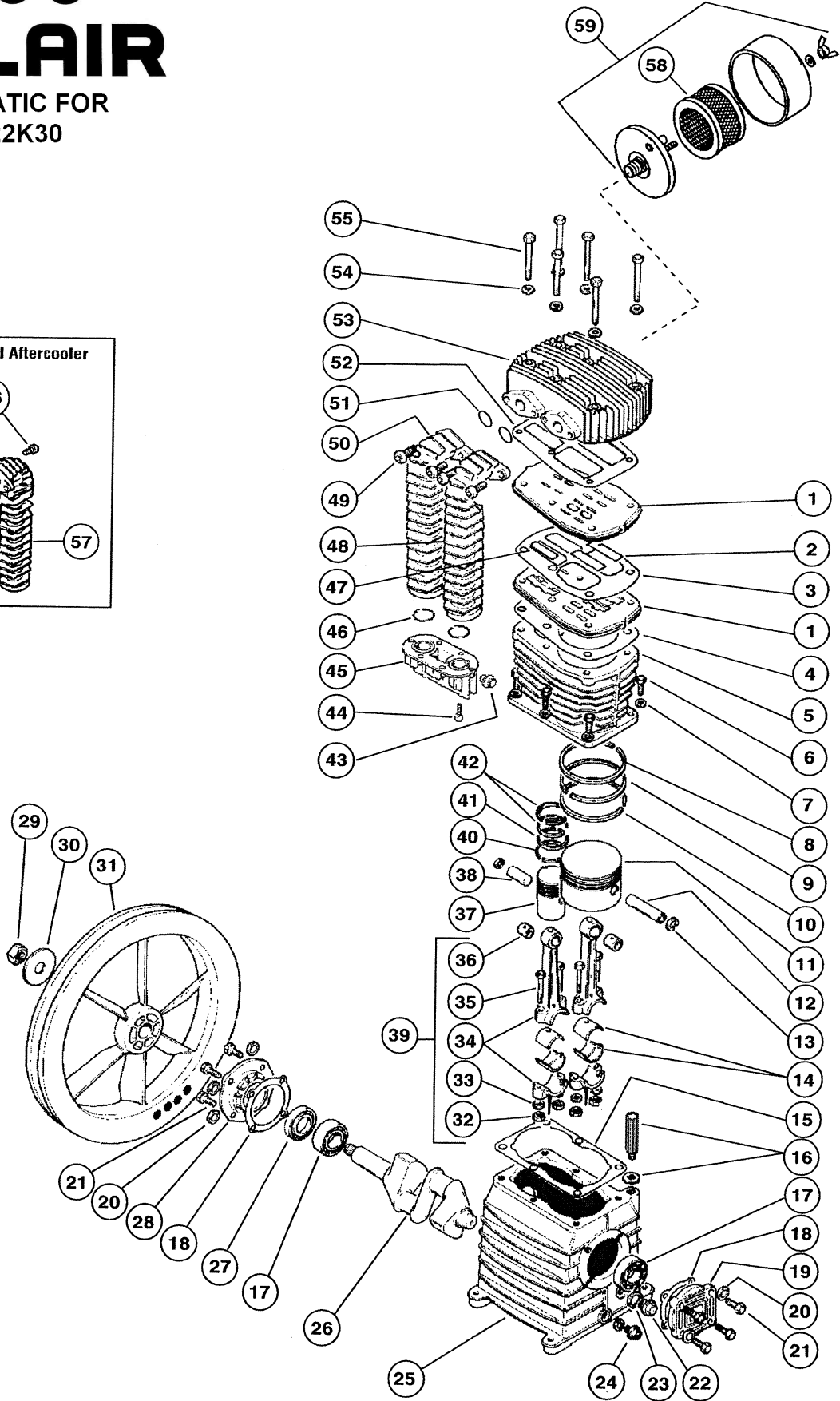
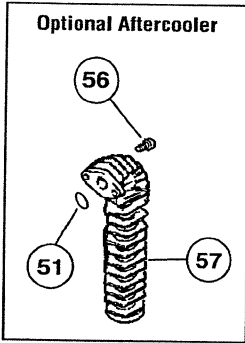
Schematic #	Description	Part #	Qty.
1	II Stage Pump w/ Flywheel - Model 7722HK28 II Stage Pump less Flywheel - Model 7722HK28 II Stage Pump w/Flywheel - Models 8422K30 & 8422HK30 II Stage Pump less Flywheel - Models 8422K30 & 8422HK30	PMP22K28CH PMP22K28CHLF PMP22K30CH PMP22K30CHLF	1 1 1 1
2	Silencer/Filter Assembly	FS14075	1
2A	Filter Element – Replacement for Above	431	1
3	Flywheel - Models 8422HK30 & 8422K30 Model 7722HK28	31003040CH 31004620CH	1 1
4	Brass Elbow	BREL0750X075039	1
5	Discharge Tube - Model 7722HK28 Model 8422HK30 – Honda* Model 8422K30 – Kohler*	7722HK28-DISCH TB 8422HK30-DISCH TB 8422K30-DISCH TB	1 1
6	Check Valve	CV4X4TA	1
7	Nipple	BLNP0500X1500	1
8	Quick Disconnect	309A	1
9	Accessory Bracket	210	1
10	Brass Coupler	BRCP0375X0375H12	2
11	3/8" Rubber Hose – 16" Hose Clamp	178A 177A	1.34' 2
12	Aluminum Block Manifold	154	1
13	Safety Relief Valve	SRV0250A175	1
14	Gauge	GA0250300GC	1
15	Pilot Unloader Valve	131B	1
16	Brass Elbow	BREL0250X0125H16	2
17	1/4" Rubber Hose – 36" Hose Clamp	178 177B	3' 2
18	Throttle Control Assembly – Kohler Throttle Control Assembly - Honda	191M8T 192EGX240QA	1 1
19	Kohler Engine Honda Engine Optional Engine Drain Extension for Above	ENG08KOM1 ENG08H01 HDE8	1 1 1
20	Pulley - Model 7722HK28 Models 8422K30 & 8422HK30	PU2AK54X1000 PU2AK46X1000	1 1
21A	Belt Guard Assembly (Base & Cover)	BG8422K30ASSY	1
21B	Belt Guard Cover	BG8423	1
22	1/4" Copper Tubing – 12"	MIS11100	1'
24	Belt Tightener/Mounting Kit - Model 8422K30 Models 7722HK28 & 8422HK30	SBT8HPK0-ANGLE** SBT8HPHO&KAK30-ANGLE**	1 1
25	Twin Tank Assembly	Specify Engine	1
26	Fully-Pneumatic Tire w/Sealant	WLS30SEAL	2
27	Cotter Pin	181B	2
28	Rubber Foot	219	4
29	Drain Valve	132BV	3
30	Handle Grip	328	2
31	Belt	BTA63	2
32	Brass Straight	BRST0750X050038	1
33	Brass Elbow	BREL0250X012539	1
34	Keystock	MIS10096C	1
35	Setscrew	MIS10020C	1
36	Field Kit-Belt Guard Bracket	BGB8K30	1
37	Washer	MIS10104	6

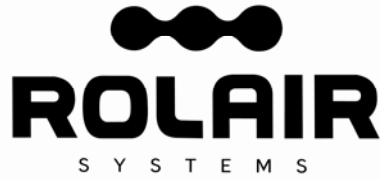
\*Prior to January 1997, a discharge tube with a 90° bend was used in production. Please advise our Parts Department of the compressor's serial number when ordering this part.

\*\*For units built prior to February 2005, order SBT8HP-SQUARE or SBT8HPHO&KA17-SQUARE respectively.

# ROLAIR

## SCHEMATIC FOR PMP22K30





**ROLAIR SYSTEMS**

606 S. Lake Street, P.O. Box 346  
 Hustisford Wisconsin 53034-0346  
 Phone: 920-349-3281  
 Sales Fax: 920.349.3691  
 Service Fax: 920.349.8861  
[www.rolair.com](http://www.rolair.com)

**PARTS LIST FOR PMP22K30**

Schem. #	Description	Part #	Qty.	Schem. #	Description	Part #	Qty.
1	Valve Plate	32702750CH	2	36	Bushing*	31102250CH	2
2	Valve - LP	32702400CH	4	37	Piston - HP	31203050CH	1
3	Gasket	30502280CH	1	38	Piston Pin - HP	31202240CH	1
4	Gasket	30502290CH	1	39	Connecting Rod Assy.	31101990CH1	2
5	Cylinder	31602020CH	1	40	Ring - HP	31202210CH	1
6	Bolt	37302420CH	6	41	Ring - HP	31202200CH	1
7	Washer	37504220CH	6	42	Ring - HP	31203390CH	2
8	Ring - LP	31202160CH	1	43	Plug	36506800CH	1
9	Ring - LP	31202170CH	1	44	Bolt	37302480CH	6
10	Ring - LP	31202180CH	1	45	Connector	3690211ACH	1
11	Piston - LP	31202190CH	1	46	O-Ring	30502400CH	2
12	Piston Pin - LP	31202230CH	1	47	Valve - HP	32702390CH	2
13	Snap Ring	37602260CH	4	48	Right Intercooler	32902720CH	1
14	Bearing Shell	31102130CH	2	49	Bolt	37302530CH	4
15	Gasket	30502300CH	1	50	Left Intercooler	32902710CH	1
16	3/8" Breather/Oil Fill Plug	36507050CH	1	51	O-Ring	30502500CH	2
				52	Gasket	30502270CH	1
17	Bearing	30302140CH	2	53	Head	31302700CH	1
18	Gasket	30502310CH	2	54	Washer	37502320CH	6
19	Bearing Carrier	30402740CH	1	55	Bolt	37308060CH	6
20	Washer	37508130CH	8	56	Bolt	37302530CH	2
21	Bolt	37301140CH	8	57	Aftercooler	32902730CH	1
22	Sight Gauge	36500140CH	1	58	Filter Element	431	1
23	Gasket	30500130CH	1	59	Silencer/Filter Assembly	FS14075	1
24	Plug	BLSQPL0250	1		<b>KITS</b>		
25	Crankcase	33102030CH	1		Gasket Set (3,4,15,18,23,52)	K30GASKETS	1
26	Crankshaft	30202000CH	1		Ring Set (8,9,10,40,41,42)	K30RINGS	1
27	Oil Seal	30302150CH	1		Valve Plate Assembly (1,2,3,4,47,52)	3000VK30	1
28	Bearing Carrier	30402800CH	1		Piston Assembly - LP (8,9,10,11,12,13)	3000PLPK30	1
29	Nut	37403780CH	1		Piston Assembly - HP (13,37,38,40,41,42)	3000PHPK30	1
30	Washer	37502450CH	1				
31	Flywheel	31003040CH	1				
32	Nut	37402590CH	4				
33	Washer	17500230CH	4				
34	Connecting Rod w/Upper Bushing	31101990CH	2				
35	Bolt	37302460CH	4				

\*Bushing is not machined to fit piston pin if ordered separate from connecting rod and must be bored to .005" over O.D. of piston pin after being pressed into place.