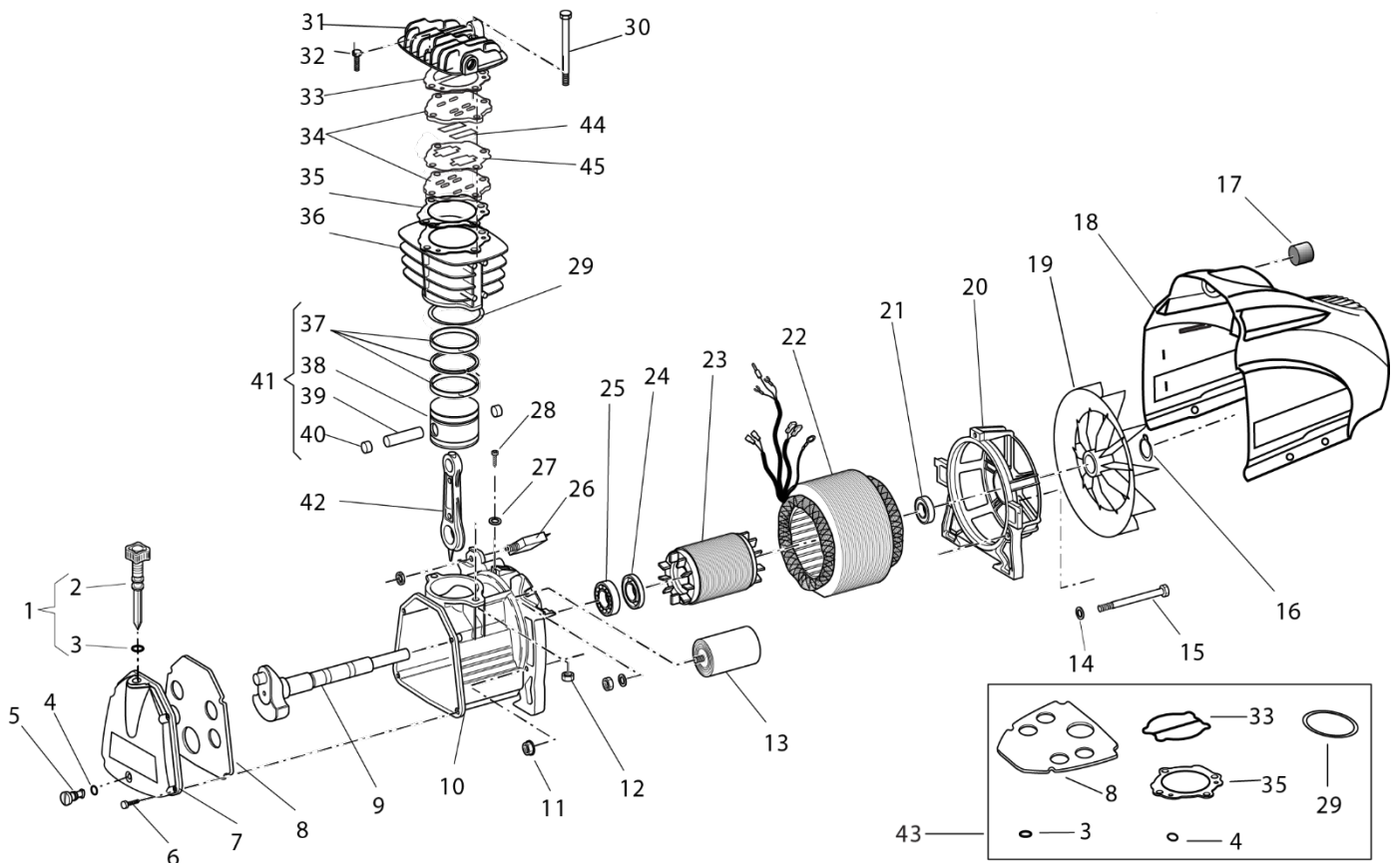
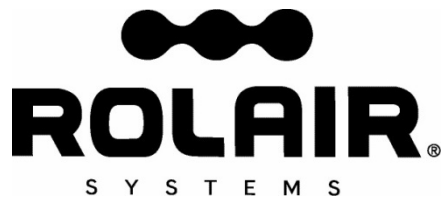


# ROLAIR®

## SCHEMATIC FOR PMP11SF2500FC





### PARTS LIST FOR PMP11SF2500FC

| Schematic # | Description  | Part #              | Qty. |
|-------------|--|---------------------|------|
| 1           | Dipstick w/ O-Ring   | U1110               | 1    |
| 2           | Dipstick   | Superseded by U1110 | 1    |
| 3           | O-Ring   | FC010024000         | 1    |
| 4           | O-Ring   | FC010072000         | 1    |
| 5           | Screw  | FC014013024         | 1    |
| 6           | Screw  | FC014006024         | 4    |
| 7           | Crankcase Cover  | FC016120003         | 1    |
| 8           | Diaphragm  | FC116120030         | 1    |
| 9           | Crankshaft   | FC116120023         | 1    |
| 10          | Crankcase  | FC116120006         | 1    |
| 11          | Nut  | NLA                 | 3    |
| 12          | Nut  | FC014003001         | 2    |
| 13          | Capacitor  | U1107               | 1    |
| 14          | Lock Washer  | FC014008020         | 3    |
| 15          | Bolt   | NLA                 | 3    |
| 16          | C-Clip   | FC015083000         | 1    |
| 17          | Filter Element   | FC317064000         | 1    |
| 18          | Shroud   | FC280801021         | 1    |
| 19          | Fan  | FC116120008         | 1    |
| 20          | End Bell   | FC116120007         | 1    |
| 21          | Bearing  | U1113               | 1    |
| 22          | Stator   | FC316122652         | 1    |
| 23          | Rotor  | FC134135000         | 1    |
| 24          | Seal   | FC010132000         | 1    |
| 25          | Bearing  | FC033082000         | 1    |
| 26          | Manual Reset Button  | FC008331000         | 1    |
| 27          | Lock Washer  | FC014008006         | 1    |
| 28          | Screw  | NLA                 | 1    |
| 29          | O-Ring   | FC010133001         | 1    |
| 30          | Bolt   | NLA                 | 2    |
| 31          | Head   | FC116120015         | 1    |
| 32          | Bolt   | NLA                 | 2    |
| 33          | Head Gasket  | FC116CN0050         | 1    |
| 34          | Valve Plate  | FC116CN0030         | 2    |
| 35          | Cylinder Gasket  | FC116HT0003         | 1    |
| 36          | Cylinder   | FC116HT0101         | 1    |
| 37          | Ring Set*  | NLA                 | 1    |
| 38          | Piston*  | NLA                 | 1    |
| 39          | Piston Pin   | U1115               | 1    |
| 40          | C-Clip   | U1116               | 2    |
| 41          | Complete Piston/Connecting Rod Assembly<br>(Includes Ref# 37, 38, 39, 40 & 42) | U1105               | 1    |
| 42          | Connecting Rod   | U1106               | 1    |
| 43          | Gasket Set   | FC216120004         | 1    |
| 44          | Reed Valve   | U1104               | 2    |
| 45          | Valve Gasket   | FC116CN0051         | 1    |
|             | 1.5 HP Pump/Motor  | PMP11SF2500FC       | 1    |
|             | Valve Plate Assembly (Includes Ref#33, 34, 35, 44, 45)                         | 2500VMK137          | 1    |
|             | Valve Plate Assembly (Old-style, single piece)                                 | FC116120200         | 1    |
|             | Head Gasket/O-ring**   | FC116120014         | 1    |
|             | Valve Kit (Includes Ref#33, 35, 44, 45)***                                     | VKSF2500            | 1    |

\*No longer available individually, must order complete Piston Assembly (Ref#41, Part#U1105).

\*\*Must use this head gasket with single piece valve plate.

\*\*\*Valve Kit (VKSF2500) is only compatible with Valve Plate Assembly (2500VMK137).

