



ROLAIR®

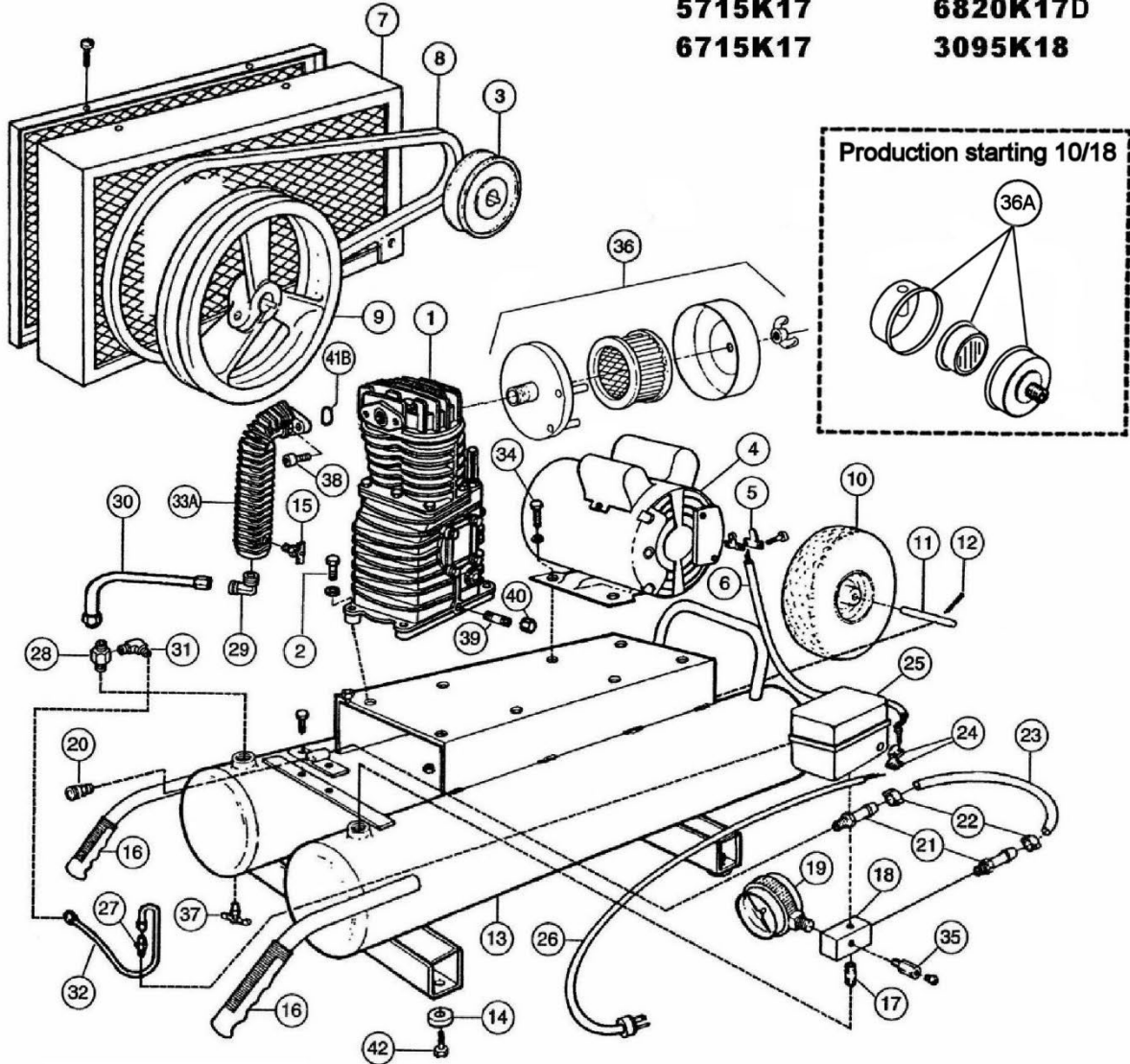
SCHEMATIC FOR MODELS

5715K17

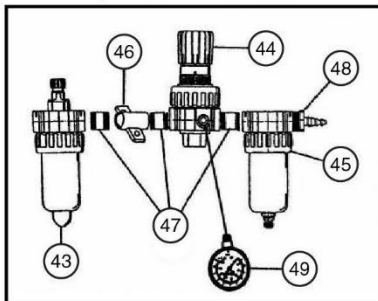
6820K17D

6715K17

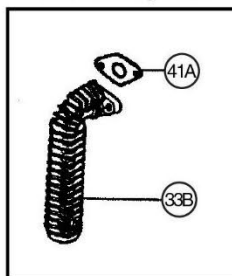
3095K18



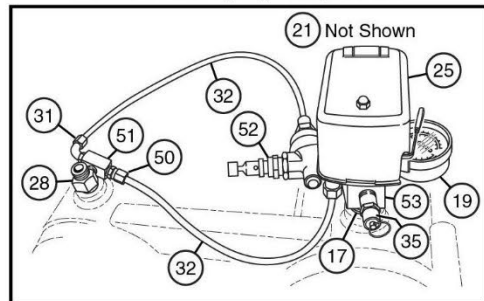
Optional Accessories

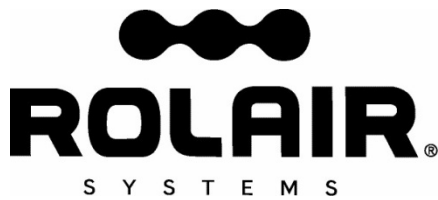


Production Prior to February 2000



Dual Control (DC) Components





**PARTS LIST FOR MODELS
5715K17 6820K17D
6715K17 3095K18**

Schem #	Description	Part #	Qty.	Schem #	Description	Part #	Qty.	
1	Twin Cylinder Pump With Flywheel	PMP12K17CH	1	27	Pressure Switch Relief Valve	PS2020RV	1	
	Twin Cylinder Pump With Flywheel – Model 3095K18 Only	PMP12K18CH	1		Pressure Switch Relief Valve – Model 3095K18 Only	PS4040RV	1	
2	Bolt	MIS10023	4	28	Check Valve	CV4X4T-A175	1	
					Safety Valve (1/8"***)	SRV0125A175	1	
3	Motor Pulley	See Supplemental Page	1	29	Brass Elbow	BRELO500X050039	1	
4	1.5 HP Motor – Models 5715K17 & 6715K17	MTRC101	1	30	Discharge Tube	SPECIFY MODEL	1	
	1.5 HP Motor w/Dual-Voltage Switch	MTRC102	1	31	Brass Elbow	BRELO250X012539	1	
	2 HP Motor – Model 6820K17	MTRD103	1	32*	1/4" Nylon Tubing – 15.6" - Models 5715K17, 6715K17 & 6820K17	178D	1.3'	
	3 HP Motor – Model 3095K18	MTRE101	1		Brass Nut	BRNT0250	2	
5	Box Connector	161A	2		Brass Sleeve	BRSLO250	2	
					Brass Ring	BRRG0250	2	
6	Cord	173A	1		1/4" Copper Tubing – 18" - Model 3095K18	CTUBE14	1.5'	
					Brass Nut	BRNT0250	2	
7	Belt-Guard (Base & Cover)	BG566ASY	1		Brass Ring	BRRG0250	2	
	Belt-Guard Cover	NLA	1		33A	Aftercooler	3290146ACH	1
	10#-1/2" Sheet Metal Screw (current)	MIS10092	5		33B	Aftercooler	USE 3290146ACH	1
	Spin-Lock Bolt (prior Production)	MIS10094	5		34	Bolt	MIS10022	6
8	Belt	See Supplemental Page	1	35	Safety Relief Valve	SRV0250A165	1	
9	Flywheel	31007280CH	1	36	Intake Filter Assembly (before 10/18)	FS14050	1	
10	Foam-Filled Flat-Free Tire	WLS50	1		Filter Element for FS14050	431	1	
11	Axle	181	1	36A	Intake Filter Assembly (after 10/18)	FS10052	1	
12	Cotter Pin	181A	2		Filter Element for FS10052	433	1	
13	Twin Tank Assembly	Specify Model & SN	1	37	Drain Valve	132BV	2	
14	Rubber Foot	219	4	38	Bolt	37302530CH	2	
15	Drain Valve	132	1	39	Nipple	BLNP0250X1500	1	
16	Handle Grip	328	2	40	Cap	BLCA0250	1	
17	Nipple	BLNP0500X1500	1	41A	Gasket	30501490CH	1	
18	Aluminum Block Manifold**	154	1	41B	O-Ring	30502510CH	1	
19	Gauge – Tank	GA0250200GC	1	42	Screw	MIS10008	4	
20	Quick Disconnect (Optional)	309A	1	(Accessories)				
21	Brass Coupler	BRCPO375X0375H12	2	43	Lubricator	LUB0375	1	
22	Hose Clamp	177A	2	44	Regulator	REG0375	1	
23	3/8" Rubber Hose – 16"	178A	1.34'	45	Filter	FIL0375	1	
24	Box Connector	161	1	46	Accessory Bracket	210	1	
25	Pressure Switch	PS2020M	1	47	Nipple	BLNP0375X1500	3	
	Pressure Switch – Model 3095K18 Only	PS4040	1	48	Brass Coupler	BRCPO375X0375H12	1	
26	Cord w/110V Plug - Models 5715K17, 6715K17 & 6820K17	170	1	49	Gauge - Line	GA0250200GC	1	
	Cord with 220V Plug - Model 3095K18	175	1	(Optional DC Components)				
				50	Brass Straight	BRST0250X012538	1	
				51	Brass Tee	BRTE0125	1	
				52	Dual Control Pilot Valve	131B2	1	
				53	Dual Control Manifold	154D	1	

As an added safety measure, belt driven models built after August 1, 2015 include additional safety valve on check valve.

*Note: Nylon & Copper Tubing are sold by the foot; may be ordered in bulk lengths.

**Order part #154D if unit is built with dual controls.

***Safety valve not shown but may be ordered separately.

**Supplemental Pulley and Belt Information
for Models 5715K17, 6715K17, 6820K17, and 3095K18**

Schem #	Description		Part #	Qty.
3	Pulley	(5 ¼") 5715K17 & 6715K17 (used prior to S/N 0605...)	PUAK54X0875	NLA
		(5") 5715K17 & 6715K17 (Used between S/N 0605... & 0806...)	PUAK54X0875	NLA
		(5 ¾") 5715K17 & 6715K17 (Used after S/N 0806)	PUAK59X0875	1
		(6 ¼") 2112K17 & 6820K17	PUAK64X0875	1
		(7 ¾") 3095K17 & 3095K18 (*requires use of H1.125 bushing)	PUAK79H*	1
8	Belt	5715K17 & 6715K17 (used prior to S/N 0605...)	BT4L490/A47	1
		5715K17 & 6715K17 (used between S/N 0605... & 0806...)	BT4L480/A46	1
		5715K17 & 6715K17 (used after S/N 0806...)	BT4L490/A47	1
		2112K17 & 6820K17	BT4L500/A48	1
		3095K17 & 3095K18	BT4L510/A49	1

Note: Exact serial number breaks are unknown. We recommend measuring the outside diameter of the motor pulley before ordering the proper belt. Order BT4L480/A46 only if the outside diameter of the pulley is 5.0"