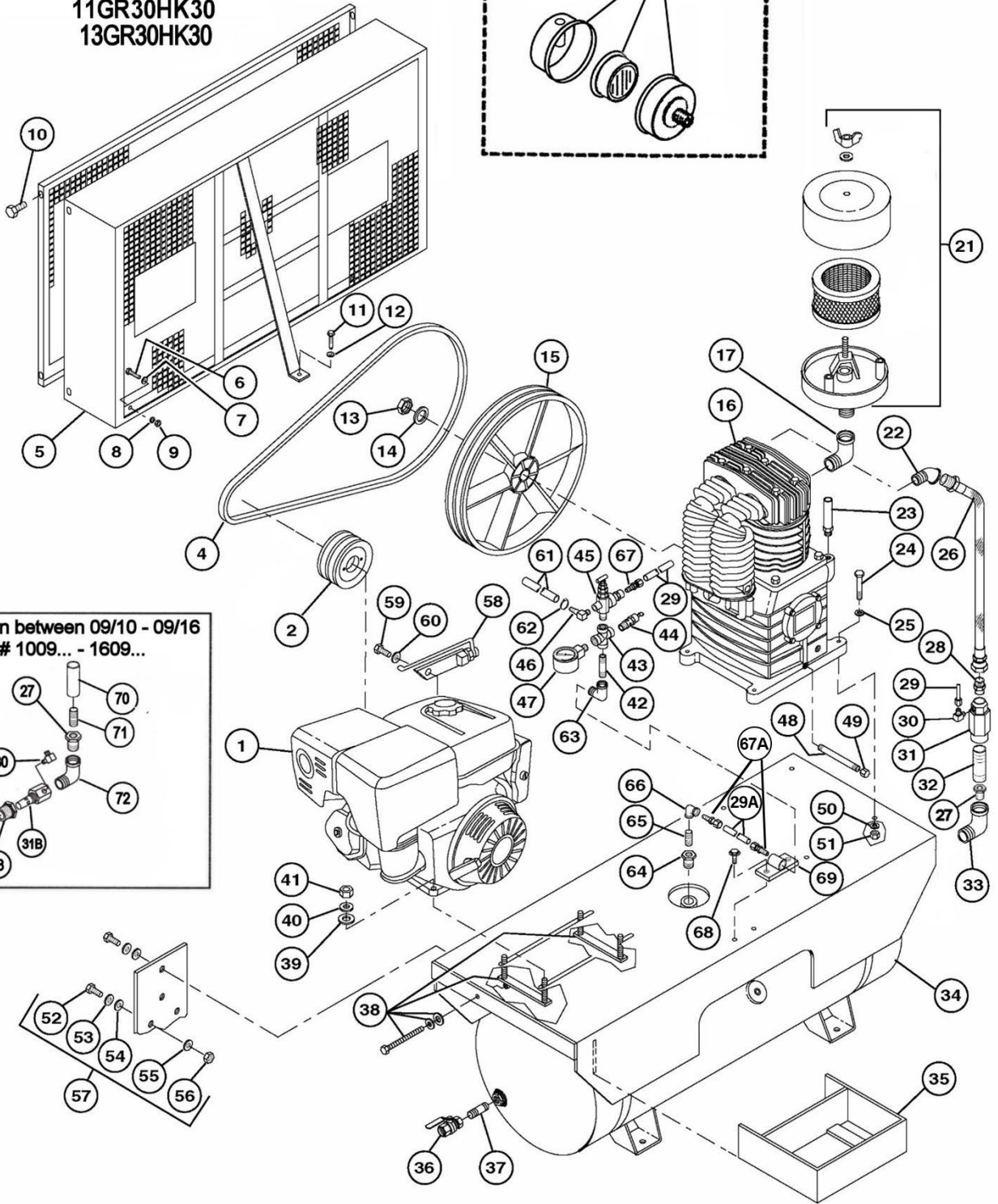
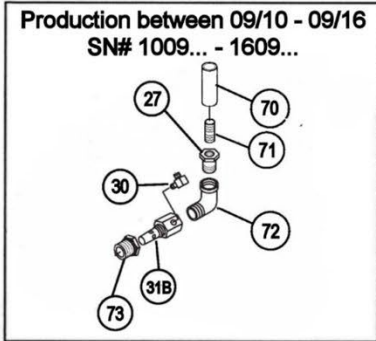
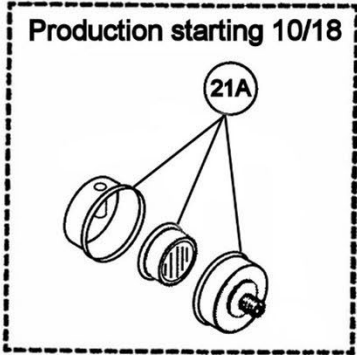



ROLAIR®
 SCHEMATIC FOR
 11GR30HK30
 13GR30HK30



PARTS LIST FOR 11GR30HK30 & 13GR30HK30

Sch #	Description	Part #	Qty.	Sch #	Description	Part #	Qty.	
1	Engine –		1	37	Nipple	BLNP0500X2000	1	
	Honda GX340	ENG11HO1		38	Belt Tightener -	SBT11HP-ANGLE	1	
	Kohler CH11S	ENG11KOC1	1		Mounting Kit			
	Briggs 254427	ENG11BR1	1	39	Washer	MIS10103	4	
2	Pulley – MDL 11GR30HK30	PU2AK46X1000	1	40	Lock Washer	MIS10100	4	
	Pulley – MDL 13GR30HK30	PU2AK54X1000	1	41	Nut	MIS10040	4	
4	Belt	BTA66	2	42	Nipple (used prior to 9/10)	BLNP0250X4000	1	
	Used prior to 8/10				Nipple (used after 9/10)	BLNP0250X2500	1	
	Belt – MDL11GR30HK30	BTA70	2	43	Cross	BLCR0250	1	
	Belt – MDL13GR30HK30	BTA72	2	44	Safety Relief Valve	SRV0250A200	1	
5	Belt Guard	BG131ASSY	1	45	Pilot Unloader Valve	131B	1	
6	Bolt	MIS10023	2			(used prior to 4/08)		
7	Washer	MIS10106	2			Pilot Unloader Valve	131BIG	
8	Lock Washer	MIS10098	2			(used after 4/08)		1
9	Nut	MIS10020	2			Brass Elbow	BREL0375X025039	1
10	Bolt	MIS10094	5			(used with 131BIG only,		
11	Bolt	MIS10023	1			prior to 9/10)		
12	Washer	MIS10106	1			Brass Straight	BRST0375X025038	1
13	Nut	37403780CH	1			(used with 131BIG only,		
14	Washer	37502450CH	1			after 9/10)		
15	Flywheel	31003040CH	1	46	Brass Elbow	BREL0250X0125H16	1	
16	II-Stage Pump	PMP22K30CH	1	47	Pressure Gauge	GA0250300	1	
	with Flywheel			48	Nipple	BLNP0250X5000	1	
	II-Stage Pump less	PMP22K30CHLF	1	49	Cap	BLCA0250	1	
	Flywheel			50	Lock Washer	MIS10100	4	
17	Elbow	BLEL0750X90S	1	51	Nut	MIS10040	4	
21	Intake Filter Assembly	FS14075	1	52	Bolt	MIS10022	4	
	(before 10/18)			53	Lock Washer	MIS10098	4	
	Filter Element for FS14075	431	1	54	Washer	MIS10106	4	
21A	Intake Filter Assembly	FS10072	1	55	Lock Washer	MIS10098	4	
	(after 10/18)			56	Nut	MIS10020	4	
	Filter Element for FS10072	433	1	57	Vibration Dampening Kit	VIBBR11GR	1	
22	Elbow	BLEL0750X90S	1	58	Throttle Control Kit			
23	3/8" Breather/Oil Fill	36507050CH	1			Honda GX340	207GX340&390K1QAE	1
24	Bolt	MIS10045	4			Kohler CH11S	207CH11&CH14S	1
25	Washer	MIS10103	4		Briggs 254427	207BR11HP	1	
26	Braided Discharge	FDT23	1	59	Bolt	MIS10041	1	
	Tube			60	Lock Washer	MIS10100	1	
	Used between 9/10 to 9/16			61	Rubber Hose	178	1	
	Braided Discharge	FDT26	1	62	Hose Clamp	177	2	
	Tube			63	Elbow	BLEL0250X90S	1	
27	Bushing	BLBS0750X0500	1	64	Bushing	BLBS0750X0250	1	
28	Brass Straight	BRST0500X0750FL	1	65	Nipple (Schedule 80)	BLNP0250X2500	1	
29	1/4" PVC (Prior to 4/08)	178D**	2.66'	66	Elbow	BLEL0250X90	1	
	3/8" PVC (4/08 to 6/23)	178C***	2.66'	67	Brass Straight	BRST0375X025038	1	
	3/8" Copper (After 6/23)	CTUBE38****	2.66'	67A	Brass Straight (4/08 to 6/23)	BRST0375X025038	2	
29A	3/8" PVC (Prior to 4/08)	178C***	0.30'			Brass Hose Barb (After 6/23)	BRCP0375X0250H12	2
	3/8" Copper (4/08 to 6/23)	CTUBE38****	0.30'			Screw Clamp (Used w Hose Barb	177C	2
	after 6/23)			68	Screw	MIS10094	2	
30	Used prior to 4/08			69	Bracket	211	1	
	Brass Elbow	BREL0250X012539	1	70	Coupling	BLCP0500	1	
	Used after 4/08			71	Nipple	BLNP0500X1500	1	
	Brass Elbow	BREL0375X012539	1	72	Elbow	BLEL0750X90S	1	
31	Check Valve	CV4X4L1	1	73	Bushing	BLBS1500X0750	1	
31B	Check Valve	CV6X6TF	1					
32	Nipple	BLNP0500X1500	1					
33	Elbow	BLEL0500X90S	1					
34	Tank Assembly	TNK030AH	1					
35	Battery Tray	BT5250X8250	1					
36	Shut-Off Valve	SOV0500	1					

To convert 3.50" line (29A) to rubber hose, order (0.30") 178A, & (2/ea) BRCP0375X0250H12 & 177C

*See inset for reference numbers of additional plumbing parts used to facilitate this production change

**178D requires (2/ea) BRNT0250, BRRG0250, & BRSL0250

***178C requires (2/ea) BRNT0375, BRRG0375, & BRSL0375

****CTUBE38 requires (2/ea) BRNT0375 & BRRG0375