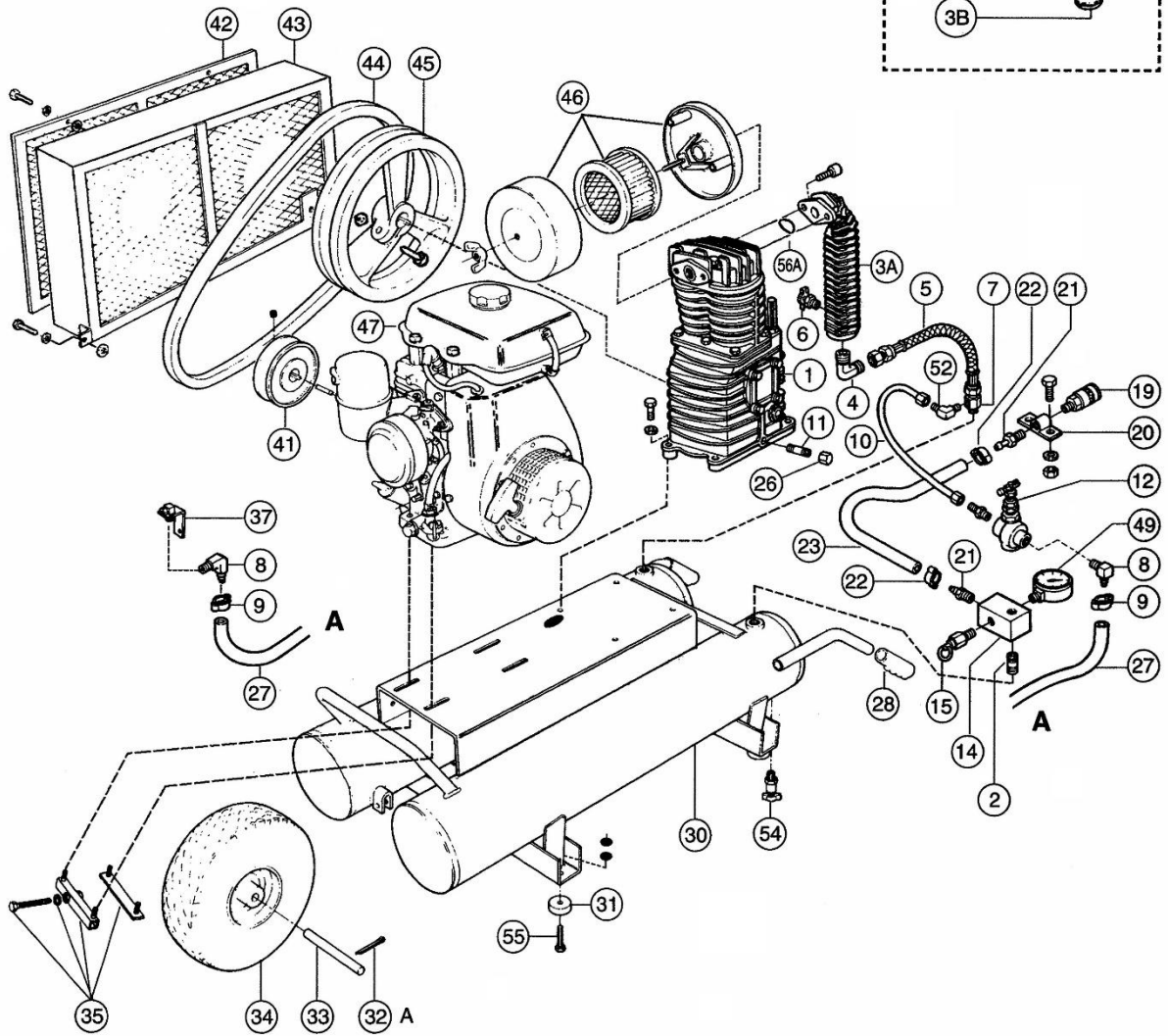
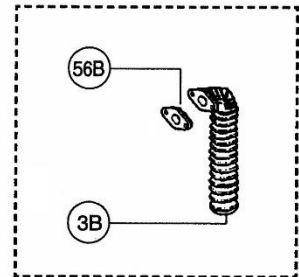


ROLAIR®

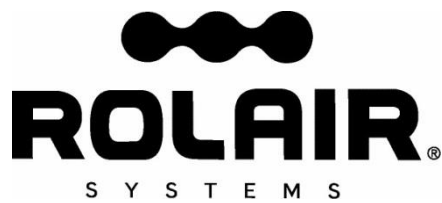
SCHEMATIC FOR MODELS

1040K18	2040K18
1040HK18	2040HK18
1040RK18	2040RK18

Production Prior to 2/00



2040K18 Model uses (2) WLS30SEAL



PARTS LIST FOR MODELS

1040K18 2040K18
 1040HK18 2040HK18
 1040RK18 2040RK18

Schem #	Description	Part #	Qty.	Schem #	Description	Part #	Qty
1	Twin-Cylinder Pump with Flywheel	PMP12K18CH	1	34	Foam-Filled Flat-Free Tire	WLS50	1
	Twin-Cylinder Pump,less Flywheel	PMP12K18CHLF	1	35	Belt Tightener/Mounting Kit - 1040K18 & 2040K18 1040HK18, 2040HK18, & 1040RK18, 2040RK18	SBT8HPKO-ANGLE*	1
2	Nipple	BLNP0500X1500	1			SBT8HPHO&KAK17-ANGLE*	1
3A	Aftercooler	3290146ACH	1			37	Throttle Control Kit
3B	Aftercooler	Use 3290146ACH	1	41	Pulley	PUAK49X1000	1
4	Brass Elbow	145D	1	42	Belt-Guard Cover	NLA	1
5	Discharge Tube	FDT9	1	43	Belt-Guard (Base & Cover)	BG9140ASY	1
6	Drain Valve	132	1	44	Belt	BT4L510/A49	1
7	Check Valve **	CV4X4TA-A175	1	45	Flywheel	31007280CH	1
8	Brass Elbow	BREL0250X0125H16	2	46	Silencer/Filter Assy	FS14050	1
9	Hose Clamp	177	2		Filter Element - Replacement for Above	431	1
10	1/4" Nylon Tubing – 14.4"	178D	1.2'	47	Kohler Engine – Models 1040K18 & 2040K18 Honda Engine –& Models 1040HK18 2040HK18 Optional Engine Drain Extension for Above Robin Engine – Models 1040RK18 & 2040RK18	N.L.A.	
11	Nipple	BLNP0250X1500	1			ENG09H01	1
12	Pilot Unloader Valve	131B	1			HDE8	1
14	Aluminum Block Manifold	154	1			N.L.A.	
15	Safety Relief Valve	SRV0250A165	1				
19	Quick Disconnect	309A	1				
20	Accessory Bracket	210	1				
21	Brass Coupler	BRCP0375X0375- H12	2				
22	Hose Clamp	177A	2				
23	3/8" Rubber Hose – 16"	178A	1.34'				
26	Cap	BLCA0250	1	49	Gauge	GA0250200GC	1
27	1/4" Rubber Hose – 36"	178	3'	52	Brass Elbow	BREL0250X012539	1
28	Handle Grip	328	2	54	Drain Valve	132BV	2
30	Twin-Tank Assembly	Specify Model	1	55	Screw	MIS10008	4
31	Rubber Foot	219	4	56A	O-Ring	30502510CH	1
32	Cotter Pin - 2040 Models	181B	2	56B	Gasket	30501490CH	1
32A	Cotter Pin - 1040 Models	181A	2				
33	Axle for 1040K18, 1040HK18, & 1040KK18 Models	181	1				

*For units built prior to February 2005, order SBT8HP-SQUARE or SBT8HPHO&KA17-SQUARE respectively.

** As an added safety measure, twin-tank gas models built after July 1, 2015 include additional safety valve on check valve.

