

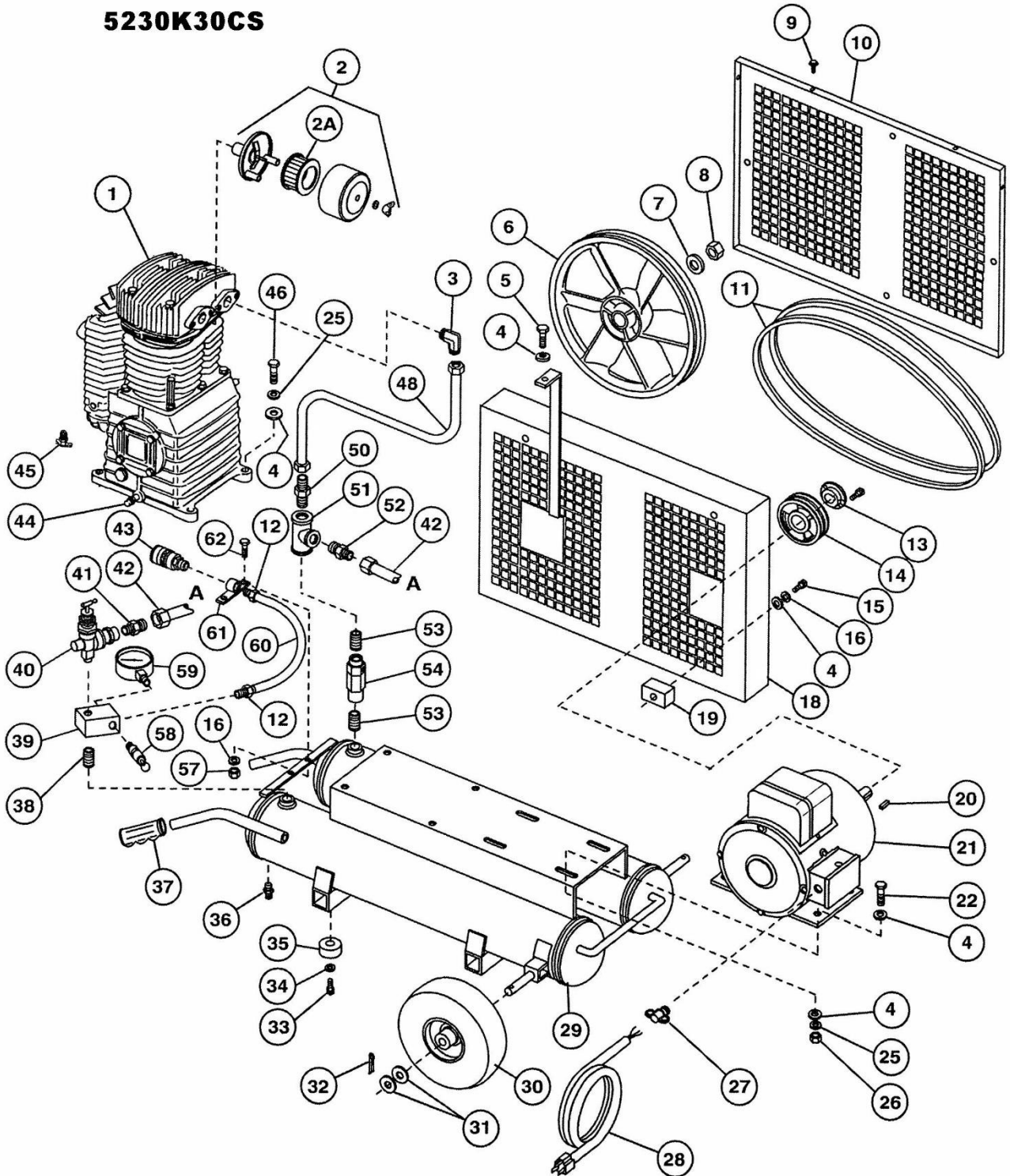
ROLAIR®

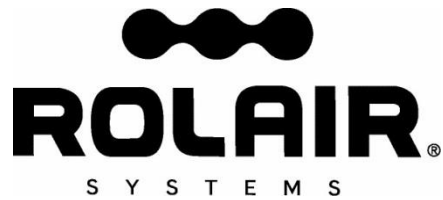
SCHEMATIC FOR MODELS

3230K24CS

4230K28CS

5230K30CS





**PARTS LIST FOR MODELS
3230K24CS, 4230K28CS & 5230K30CS**

Schem #	Description	Part #	Qty.	Schem #	Description	Part #	Qty.
1	II Stage Pump with Flywheel – Model 5230K30CS	PMP22K30CH	1	22	Bolt	MIS10041	4
	II Stage Pump with Flywheel – Model 3230K24CS	PMP22K24CH	1	25	Lock Washer	MIS10100	4
	II Stage Pump with Flywheel – Model 4230K28CS	PMP22K28CH	1	26	Nut	MIS10040	4
2	Silencer/Filter Assembly – Models 5230K30CS & 4230K28CS	FS14075	1	27	Box Connector	161	1
				28	Cord w/220V Plug	175	1
2A	Replacement Filter Element for Above	431	1	29	Twin Tank Assembly – Model 5230K30CS Twin Tank Assembly – Models 3230K24CS & 4230K28CS	TNKASY5230K30	1
				30		Foam-Filled Flat-Free Tire	WLS50
3	Brass Elbow	BREL0750X075039	1	31	Washer	MIS10104	4
4	Washer	MIS10103	10	32	Cotter Pin	181B	2
5	Bolt – Models 5230K30CS & 4230K28CS	37308060CH	1	33	Screw	MIS10008	4
	Bolt – Model 3230K24CS	37301130CH	1	34	Washer	MIS10102	4
6	Flywheel – Model 3230K24CS & 4230K28CS	31004620CH	1	35	Rubber Foot	219	4
	Flywheel – Model 5230K30CS	31003040CH	1	36	Drain Valve	132BV	2
7	Washer – Models 5230K30CS & 4230K28CS	37502450CH	1	37	Handle Grip	328	2
	Washer – Model 3230K24CS	37500730CH	1	38	Nipple	BLNP0500X1500	1
8	Models 5230K30CS & 4230K28CS	37403780CH	1	39	Aluminum Block Manifold	154	1
	Nut – Model 3230K24CS	37400720CH	1	40	Pilot Unloader Valve	131BIG	1
9	Bolt	MIS10094	5	41	Brass Straight	BRST0500X025038	1
10	Belt-Guard Cover	NLA	1	42	1/2" Copper Tubing – Specify Model	CTUBE12	1.2'
11	Belt	BTA63	2	43	Quick Disconnect	309A	1
12	Brass Coupler	BRCPO375X0375H12	2	44	Nipple – Cap #BLCA0250	BLNP0250X1500	1
13	Bushing	H1X1.125	1	45	Drain Valve	132	1
14	Pulley	PU2BK80H	1	46	Bolt	MIS10043	4
15	Bolt	MIS10023	2	48	3/4" Copper Tubing – Specify Model	CTUBE34	3'
16	Lock Washer	MIS10099	4	50	Brass Straight	BRST0750X050038	1
18	Belt Guard Assembly – Models 3230K24CS & 4230K28CS Model 5230K30CS	BG3230K24CS	1	51	Tee	BLTE0500	1
		BG5230K30CS	1	52	Brass Straight	BRST0500X050038	1
19	Aluminum Spacer	MTL1002	2	53	Nipple	BLNP0500X	1
20	Keystock	MIS10096C	1	54	Check Valve + Safety Relief Valve	CV4X4L1 SRV0125A200	1 1
21	5 HP Motor w/Overload – Model 5230K30CS 3 HP Motor – Models 3230K24CS & 4230K28CS	MTRG105	1	57	Nut	MIS10020	2
				58	Safety Relief Valve	SRV0250A175	1
				59	Gauge – Tank	GA0250300GC	1
				60	3/8" Rubber Hose – 16"	178A	1.34'
				61	Accessory Bracket	210	1
				62	Bolt	MIS10022	1

As an additional safety measure, twin-tank electric models built after August 1, 2015 include additional safety valve on check valve.

