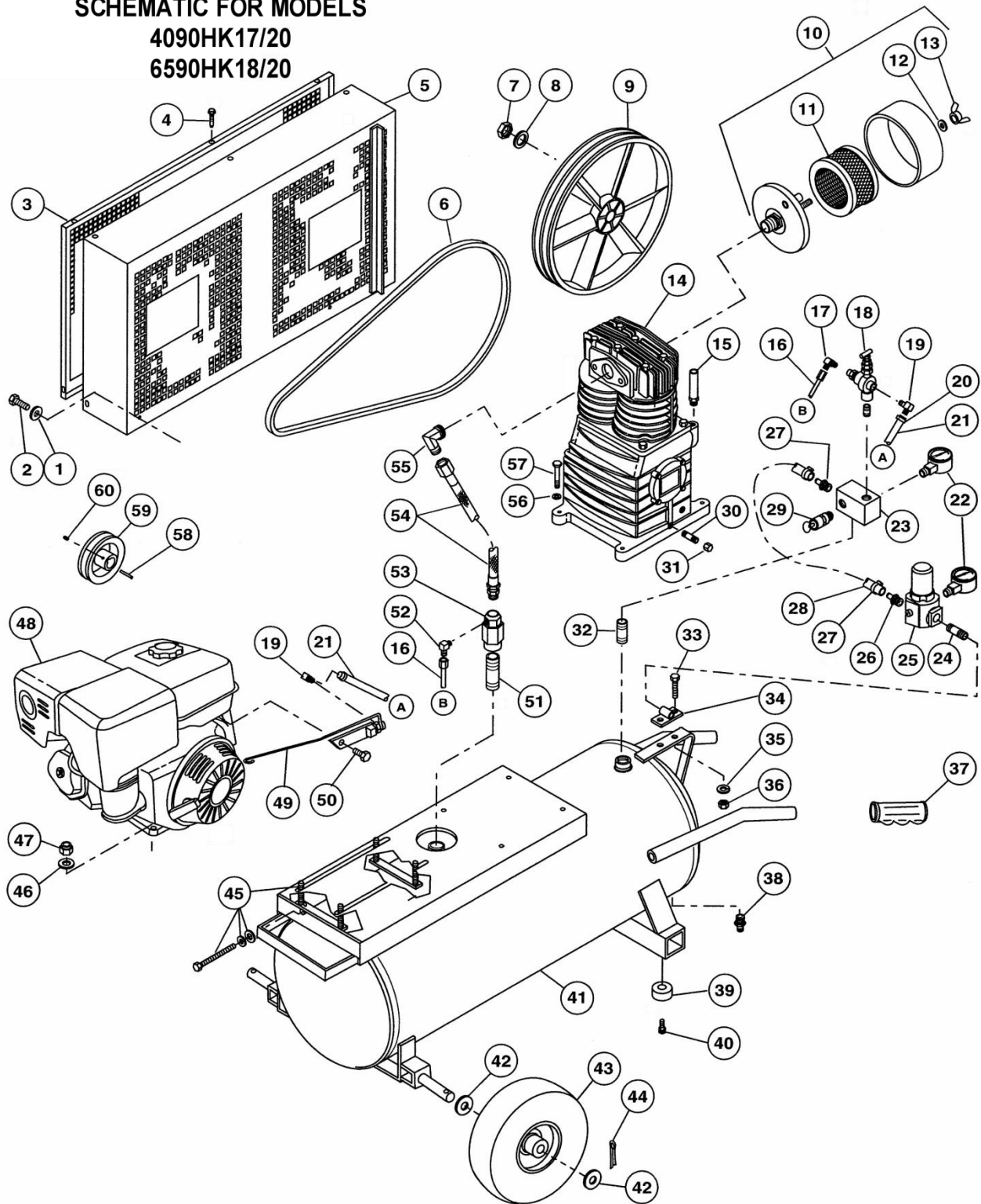
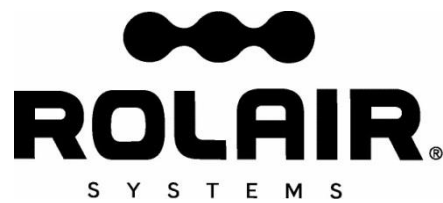




# ROLAIR®

SCHMATIC FOR MODELS  
4090HK17/20  
6590HK18/20





**PARTS LIST FOR MODELS  
4090HK17/20  
6590HK18/20**

Schem #	Description	Part #	Qty.	Schem #	Description	Part #	Qty.				
1	Washer	MIS10108	2	29	Safety Relief Valve	SRV0250A165	1				
2	Bolt	MIS10023	2	30	Nipple	BLNP0250X1500	1				
3	Belt-Guard Cover	NLA	1	31	Cap	BLCA0250	1				
4	Bolt	MIS10094	5	32	Nipple	BLNP0500X1500	1				
5	Belt-Guard (Base & Cover)	BG9140ASY	1	33	Bolt	MIS10022	2				
6	Belt	BT4L510/A49	1	34	Accessory Bracket	210	1				
7	Nut	37400720CH	1	35	Lock Washer	MIS10099	2				
8	Washer	37500730CH	1	36	Nut	MIS10020	2				
9	Flywheel	31007280CH	1	37	Handle Grip	328	2				
10	Silencer/Filter Assembly	FS14050	1	38	Drain Valve	132B	1				
11	Filter Element - Replacement for Above	431	1	39	Rubber Foot	219	2				
12	Washer	FSWASHER	1	40	Screw	MIS10008	4				
13	Wing Nut	FSNUT	1	41	20 Gallon Tank Assembly-ASME	TNKASY4090K17/20	1				
14	Twin-Cylinder Pump w/Flywheel - Mdl 4090HK17/20	PMP12K17CH	1	42	Washer	MIS10104	4				
				43	Foam-Filled Flat-Free Tire	WLS50	2				
				44	Cotter Pin	181B	2				
				45	Belt Tightener/Mounting Kit	SBT5HP-ANGLE*	1				
				46	Washer	MIS10102	4				
14	Twin-Cylinder Pump less Flywheel-Mdl 4090HK17/20	PMP12K17CHLF	1	47	Lock Nut	MIS10020B	4				
				14	Twin-Cylinder Pump w/Flywheel-Mdl 6590HK18/20	PMP12K18CH	1	48	Honda Engine-Model 4090HK17/20	ENG05H01	1
								Honda Engine-Model 6590HK18/20	ENG06H01	1	
14	Twin-Cylinder Pump less Flywheel-Mdl 6590HK18/20	PMP12K18CHLF	1	15	3/8" Breather/Oil Fill Plug	36507050CH	1				
								16	1/4" Copper Tubing - 24"	CTUBE14	2'
16	Brass Nut	BRNT0250	2	50	Flange Bolt	HON90013-883-000	1				
								16	Brass Ring	BRRG0250	2
17	Brass Elbow	BREL0250X025039	1	52	Brass Elbow	BREL0250X0125H16	1				
18	Pilot Unloader Valve	131BIG	1	53	Check Valve	CV4X4L1	1				
19	Brass Elbow	BREL0250X0125H16	2	54	Braided Discharge Tube	FDT12	1				
20	Hose Clamp	177	2	55	Brass Elbow	145D	1				
21	1/4" Rubber Hose - 24"	178	2'	56	Lock Washer	MIS10099	4				
22	Gauge	GA2050200GC	2	57	Bolt	MIS10023	4				
23	Aluminum Block Manifold	154	1	58	Keystock	MIS10095C	1				
24	Nipple	BLNP0375X1500	1	59	Pulley 6590HK18/20 only (After S/N 12010001)	PUAK44X0750	1				
25	Regulator	REG0375	1			PUAK49X0750	1				
26	Brass Coupler	BRCP0375X0375H12	2			MIS10020C	1				
27	Hose Clamp	177A	2	60	Setscrew	MIS10020C	1				
28	3/8" Rubber Hose - 16"	178A	1.25'								

\*For units built prior to February 2005, order SBT5HP-SQUARE.

