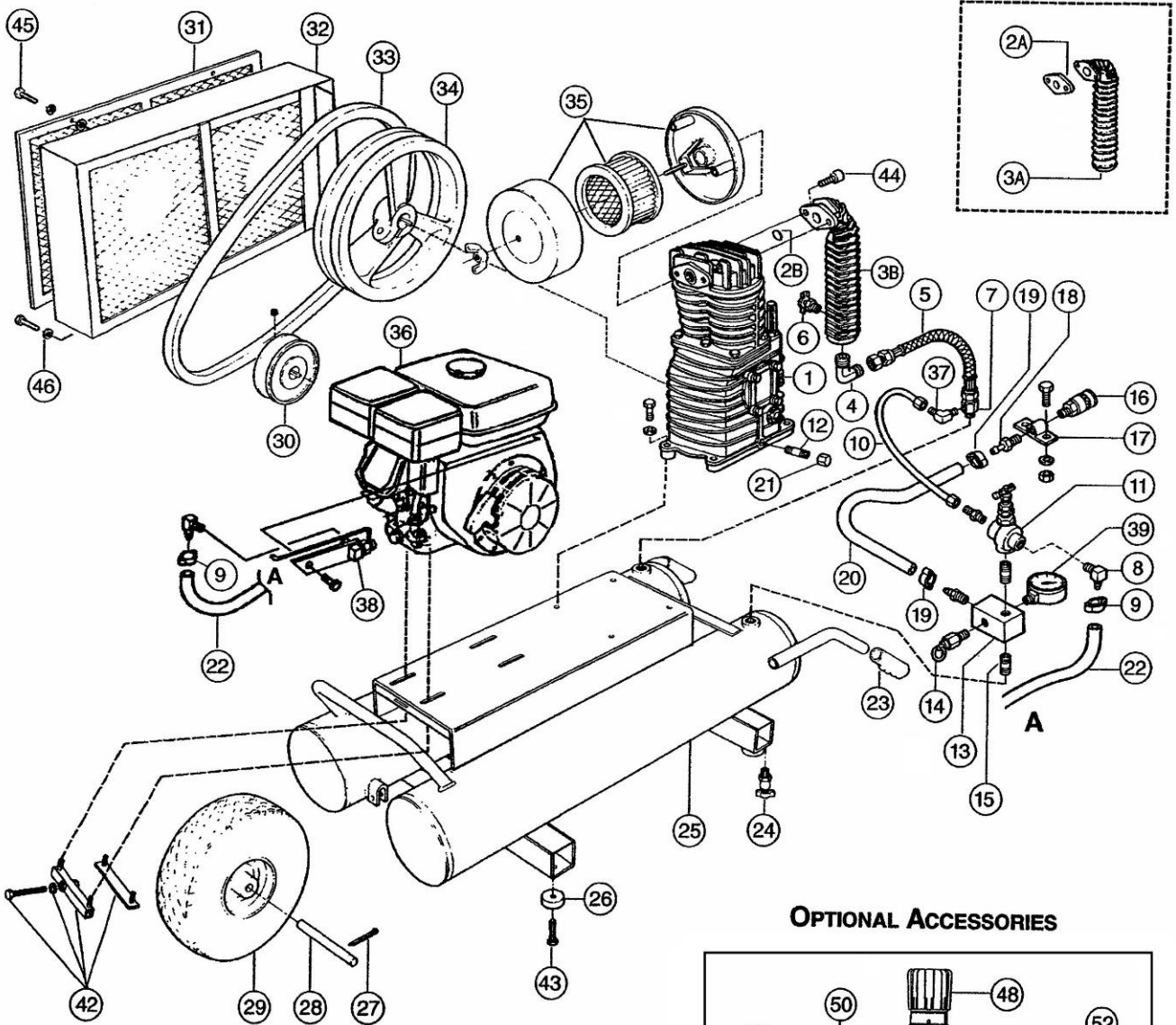
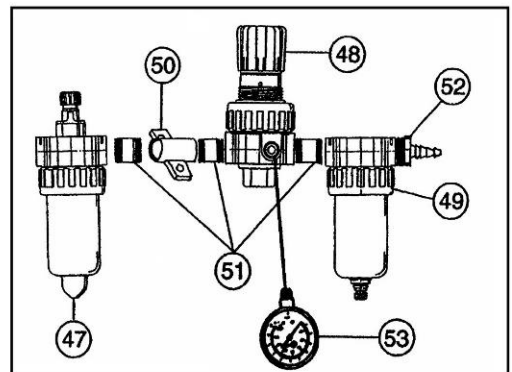


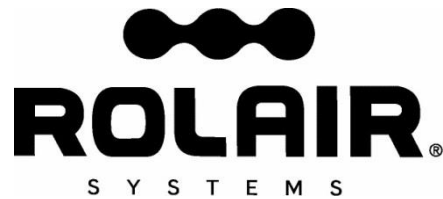
ROLAIR®

SCHEMATIC FOR
4090HK17



OPTIONAL ACCESSORIES





PARTS LIST FOR MODEL 4090HK17

Schem #	Description	Part #	Qty.	Schem #	Description	Part #	Qty.
1	Twin Cylinder Pump with Flywheel	PMP12K17CH	1	25	Twin Tank Assembly	TNKASY4090K17	1
	Twin Cylinder Pump less Flywheel	PMP12K17CHLF	1	26	Rubber Foot	219	4
				27	Cotter Pin	181A	2
				28	Axle	181	1
2A	Gasket	30501490CH	1	29	Foam-Filled Flat-Free Tire	WLS50	1
2B	O-Ring	30502510CH	1	30	Pulley	PUAK44X0750	1
3A	Aftercooler	3290146ACH	1	31	Belt-Guard Cover	NLA	1
3B	Aftercooler - O-Ring Style	Use 3290146ACH	1	32	Belt-Guard (Base & Cover)	BG9140ASY	1
4	Brass Elbow	145D	1	33	Belt	BT4L510/A49	1
5	Braided Discharge Tube	FDT9.5	1	34	Flywheel	31007280CH	1
6	Drain Valve	132	1	35	Silencer/Filter Assembly	FS14050	1
7	Check Valve **	CV4X4TA-A175	1		Filter Element – Replacement for Above	431	1
8	Brass Elbow	BREL0250X0125H16	2	36	Honda Engine	ENG05HO1	1
10	Hose Clamp	177	2	37	Brass Elbow	BREL0250X012539	1
	1/4" Nylon Tube – 14.4"	178D	1.2'	38	Throttle Control Kit	192EGX160K1QX	1
	Brass Nut	BRNT0250	2	39	Gauge	GA0250200GC	1
	Brass Sleeve	BRSL0250	2	42	Belt Tightener/Mounting Kit	SBT5HP-ANGLE*	1
11	Brass Ring	BRRG0250	2	43	Screw	MIS10008	4
	Pilot Unloader Valve	131B	1	44	Bolt	37302530CH	2
	Felt Muffler	131BM	1	45	Spin-lock Bolt	MIS10094	5
Retainer Ring	131BR	1	Self-tapping Screw		MIS10092	5	
12	Nipple	BLNP0250X1500	1	46	Bolt	MIS10022	2
13	Aluminum Block Manifold	154	1		Lock Washer	MIS10099	2
14	Safety Relief Valve	SRV0250A165	1		Washer	MIS10108	2
15	Nipple	BLNP0500X1500	1		(Accessories)		
16	Quick Disconnect	309A	1	47	Lubricator	LUB0375	1
17	Accessory Bracket	210	1	48	Regulator	REG0375	1
18	Brass Coupler	BRCP0375X0375H12	2	49	Filter (Water Trap)	FIL0375	1
19	Hose Clamp	177A	2	50	Accessory Bracket	210	1
20	3/8" Rubber Hose – 16"	178A	1.34'	51	Nipple	BLNP0375X1500	3
21	Cap	BLCA0250	1	52	Brass Coupler	BRCP0375X0375H12	1
22	1/4" Rubber Hose – 36"	178	3'	53	Gauge	GA0250200GC	1
23	Handle Grip	328	2				
24	Drain Valve	132BV	2				

*For units built prior to February 2005, order SBT5HP-SQUARE.

** As an additional safety measure, twin-tank gas models built after July 1, 2015 include additional safety valve on check valve.

