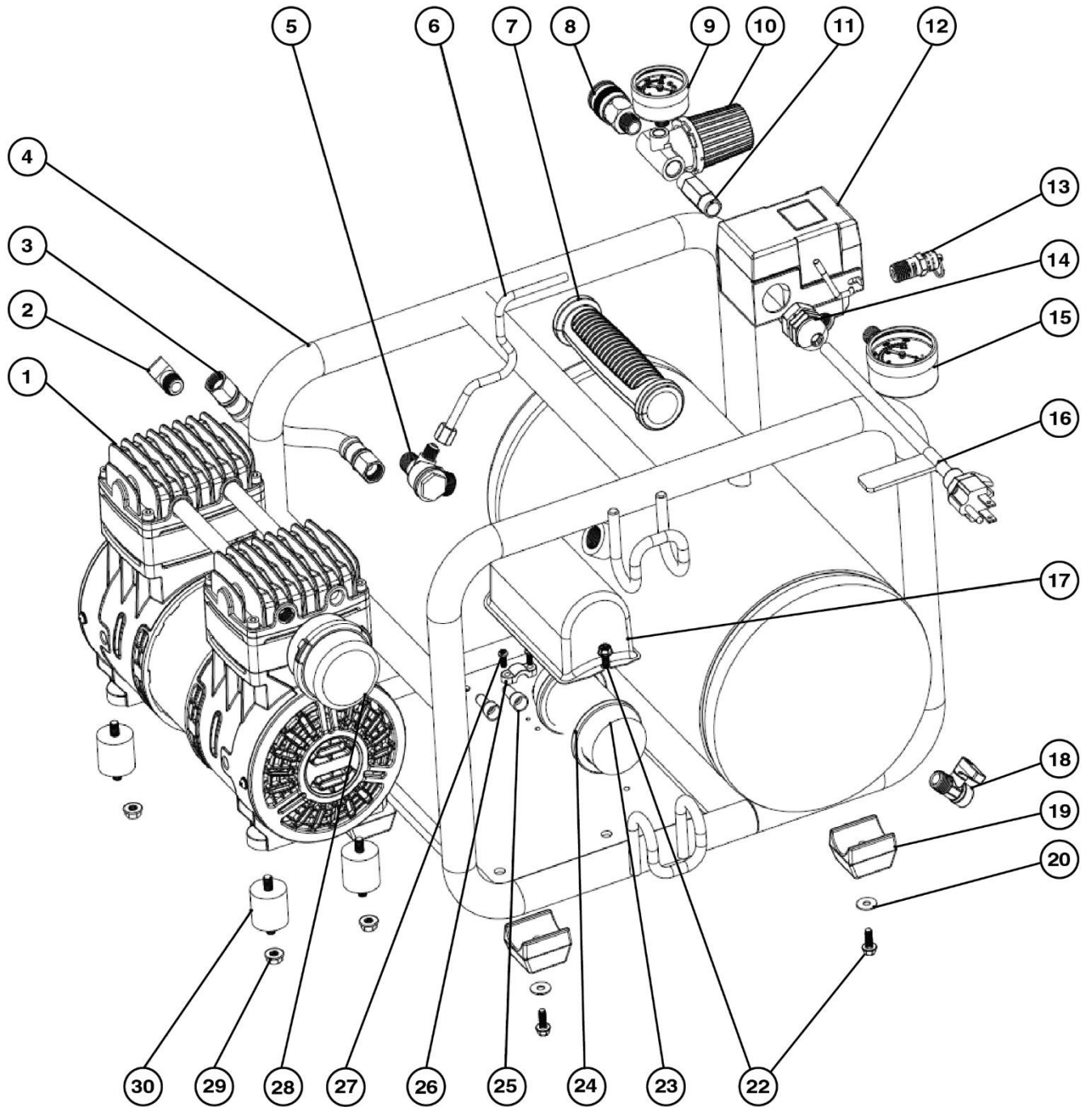
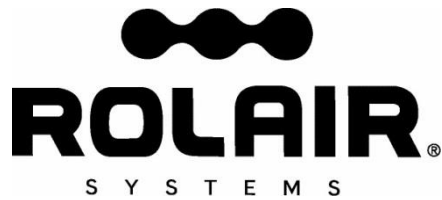




ROLAIR

SCHEMATIC FOR MODEL JC10PLUS





PARTS LIST FOR MODEL JC10PLUS

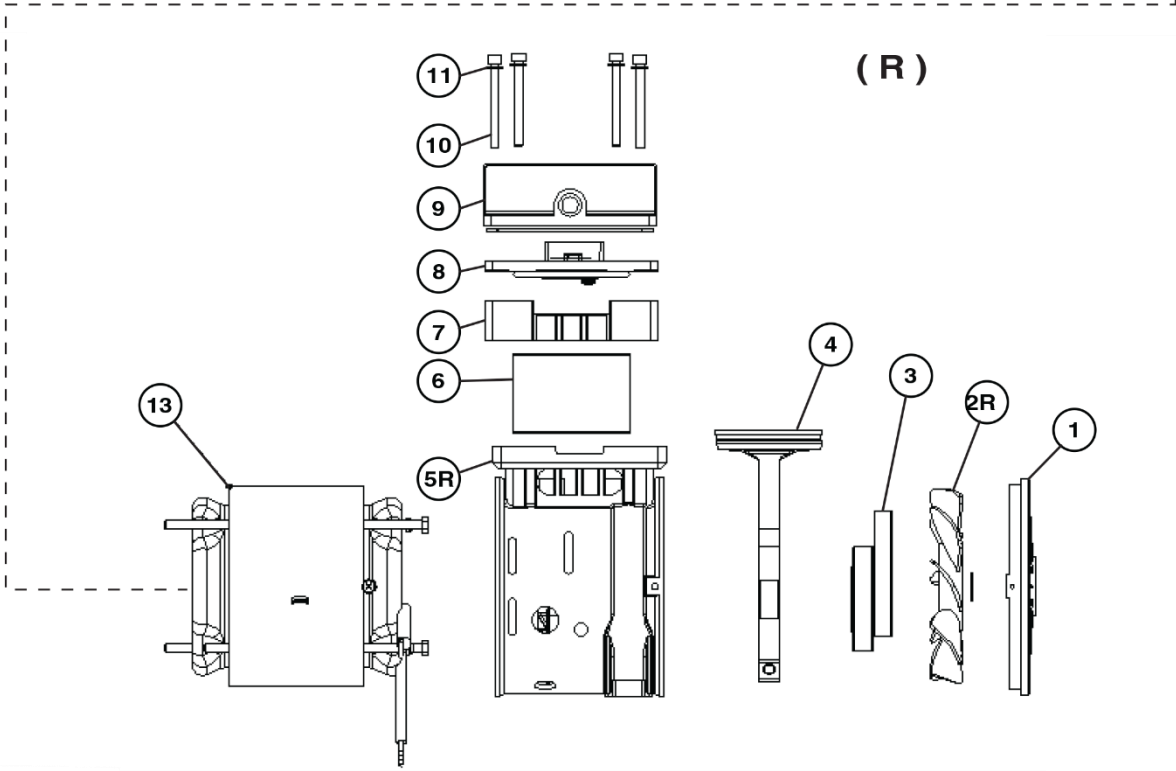
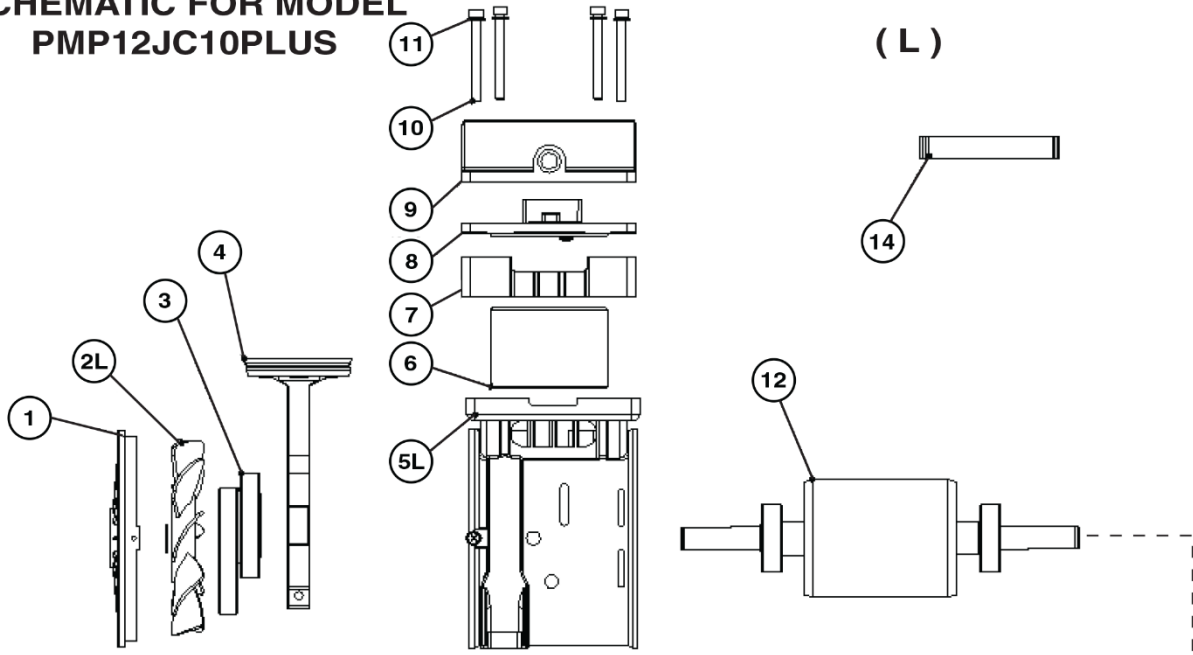
Schem #	Description	Part #	Qty.
1	Complete Motor/Pump Assembly	U1200	1
2	Brass Elbow	U1011	1
3	Braided Discharge Tube	U1012	1
4	Tank Assembly	JC10P4	1
5	Check Valve	JC10P33	1
6	Unloader Line Assembly	JC10P6	1
7	Handle Grip	JC10P7	1
8	Quick Disconnect	U9001	1
9	Gauge-Line	U3001	1
10	Regulator	U3002	1
11	Nipple	U5003	1
12	Pressure Switch	U6005	1
13	Safety Relief Valve	U6004	1
14	Box Connector	JC10P14	1
15	Gauge-Tank	JC10P15	1
16	Cord with Plug	U5001	1
17	Cover – Capacitor	JC10P17	1
18	Drain Valve	U6002	1
19	Rubber Foot	JC10P19	4
20	Washer	JC10P20	4
22	Screw	JC10P22	6
23	Capacitor	JC10P23	1
24	Clamp Ring	JC10P24	2
25	Connector	JC10P25	2
26	Wire Clamp	JC10P26	2
27	Screw	JC10P27	2
28	Intake Filter	U4001	1
29	Nut	U5002	4
30	Vibration Dampers	U6003	4



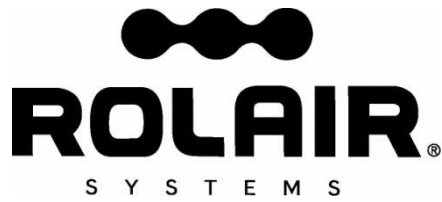


ROLAIR

SCHEMATIC FOR MODEL PMP12JC10PLUS



(L) (R) Denotes side of motor/pump when viewed from back or with Tank and Pressure Switch in front of motor/pump.



PARTS LIST FOR MODEL PMP12JC10PLUS

Schem #	Description	Part #	Qty.
1	Motor Cover	JC10P28	2
2L	Fan (left side only)	U1002	1
2R	Fan (right side only)	U1003	1
3	Eccentric	U1004	2
4	Connecting Rod/Piston Assembly	JC10P5	2
5L	Crankcase (left side only)	JC10P29	1
5R	Crankcase (right side only)	JC10P30	1
6	Cylinder	JC10P8	2
7	Spacer – Cylinder	JC10P9	2
8	Valve Plate Assembly	JC10P10	2
9	Head	JC10P31	2
10	Head Bolt	JC10P16	8
11	Washer	JC10P18	8
12	Rotor*	N/A	1
13	Stator*	N/A	1
14	Connecting Tube	JC10P32	2

* Rotor & Stator are not cost effective to replace. Order complete motor/pump instead, part #U1200.