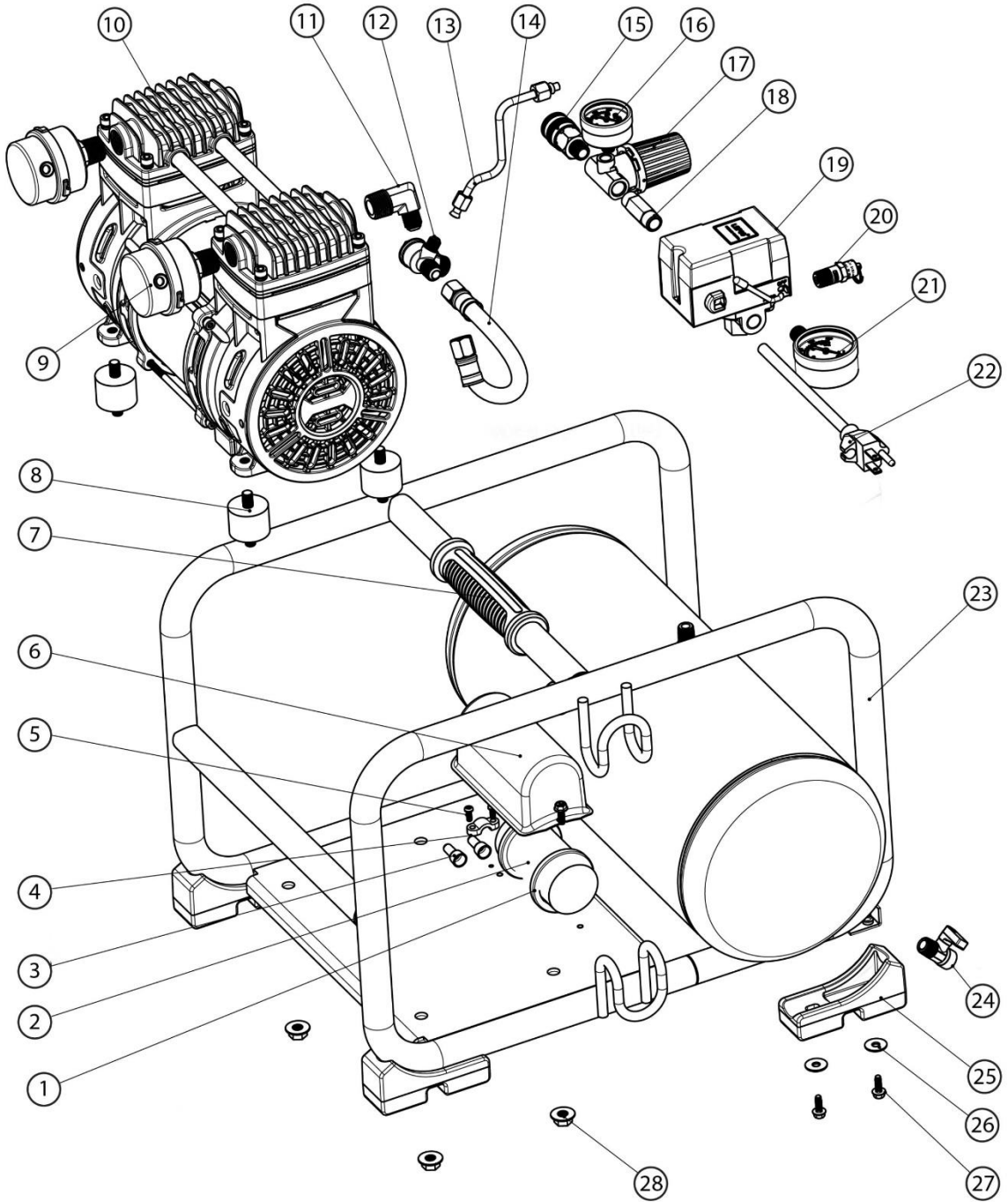
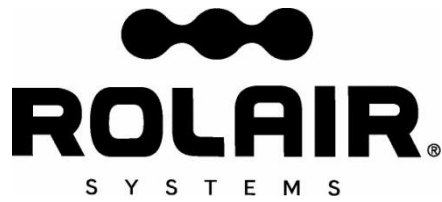


ROLAIR
SCHEMATIC FOR
JC20





PARTS LIST FOR MODEL JC20

| Schem # | Description | Part # | Qty. |
|---------|------------------------------|---------|------|
| 1 | Clamp Ring | JC10P24 | 2 |
| 2 | Capacitor | JC20P2 | 1 |
| 3 | Connector | JC20P3 | 2 |
| 4 | Wire Clamp | JC10P26 | 1 |
| 5 | Screw | JC10P27 | 2 |
| 6 | Cover – Capacitor | JC10P17 | 1 |
| 7 | Handle Grip | JC10P7 | 1 |
| 8 | Vibration Dampener | JC20P8 | 4 |
| 9 | Intake Filter | JC20P9 | 2 |
| 10 | Complete Motor/Pump Assembly | JC20P10 | 1 |
| 11 | Brass Elbow | JC20P11 | 1 |
| 12 | Check Valve | JC20P12 | 1 |
| 13 | Unloader Line Assembly | JC10P6 | 1 |
| 14 | Braided Discharge Tube | JC20P14 | 1 |
| 15 | Quick Disconnect | U9001 | 1 |
| 16 | Gauge – Line | U3001 | 1 |
| 17 | Regulator | U3002 | 1 |
| 18 | Nipple | U5003 | 1 |
| 19 | Pressure Switch | JC20P19 | 1 |
| 20 | Safety Relief Valve | JC20P20 | 1 |
| 21 | Gauge - Tank | JC10P15 | 1 |
| 22 | Cord with Plug | JC20P22 | 1 |
| 23 | Tank Assembly | JC20P23 | 1 |
| 24 | Drain Valve | U6002 | 1 |
| 25 | Rubber Foot | JC20P25 | 4 |
| 26 | Washer | JC10P20 | 8 |
| 27 | Screw | JC10P22 | 10 |
| 28 | Nut | JC20P28 | 4 |