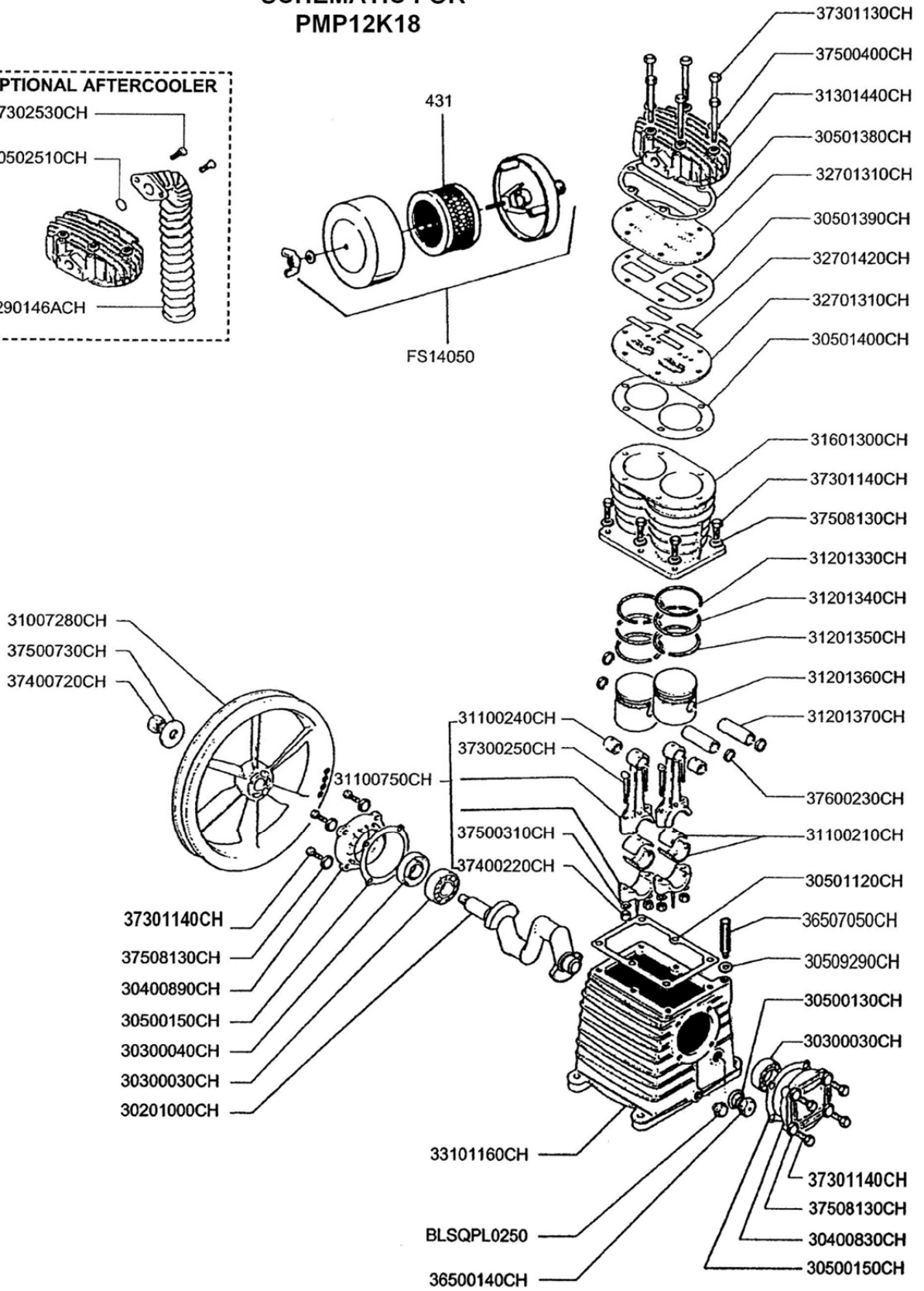
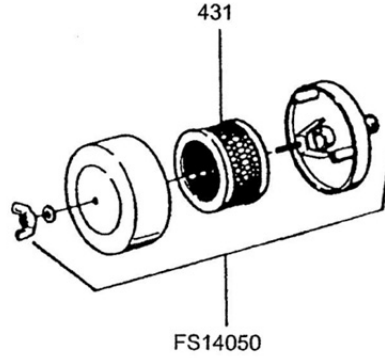
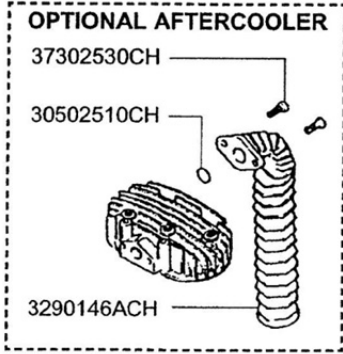
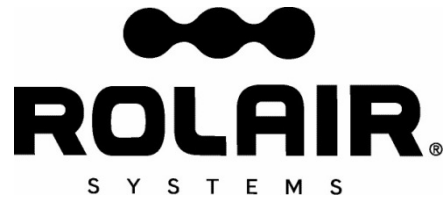


ROLAIR®

SCHEMATIC FOR PMP12K18





PARTS LIST FOR PMP12K18

Description	Part #	Qty.	Description	Part #	Qty.
Crankshaft	30201000CH	1	Valve	32701420CH	4
Bearing	30300030CH	2	Crankcase	33101160CH	1
Oil Seal	30300040CH	1	Sight Gauge	36500140CH	1
Bearing Carrier	30400830CH	1	3/8" Breather/Oil Fill	36507050CH	1
Bearing Carrier	30400890CH	1	Plug		
Gasket	30500130CH	1	Bolt	37300250CH	4
Gasket	30500150CH	2	Bolt	37301130CH	6
O-Ring	30509290CH	1	Bolt	37301140CH	6
Gasket	30501120CH	1	Nut	37400220CH	4
Gasket	30501380CH	1	Nut	37400720CH	1
Gasket	30501390CH	1	Washer	37500310CH	4
Gasket	30501400CH	1	Washer	37500400CH	6
Flywheel	31007280CH	1	Washer	37500730CH	1
Bearing Shell	31100210CH	2	Washer	37508130CH	14
Bushing*	31100240CH	2	Snap Ring	37600230CH	4
Connecting Rod w/Upper Bushing	31100750CH	2	Filter Element	431	1
Ring	31201330CH	2	Plug	BLSQPL0250	1
Ring	31201340CH	2	Silencer/Filter Assembly	FS14050	1
Ring	31201350CH	2	Ring Set	K18RINGS	1
Piston	31201360CH	2	Gasket Set	K18GASKETS	1
Piston Pin	31201370CH	2	Valve Plate Assembly	1800VK18	1
Head	31301440CH	1			
Cylinder	31601300CH	1			
Valve Plate	32701310CH	2			
OPTIONS-			NOTE: Gasket for "old-style" Aftercooler	30501490CH	1
O-Ring	30502510CH	1			
Aftercooler	3290146ACH	1			
Bolt	37302530CH	2			

*Bushing is not machined to fit piston pin if ordered separate from connecting rod.

