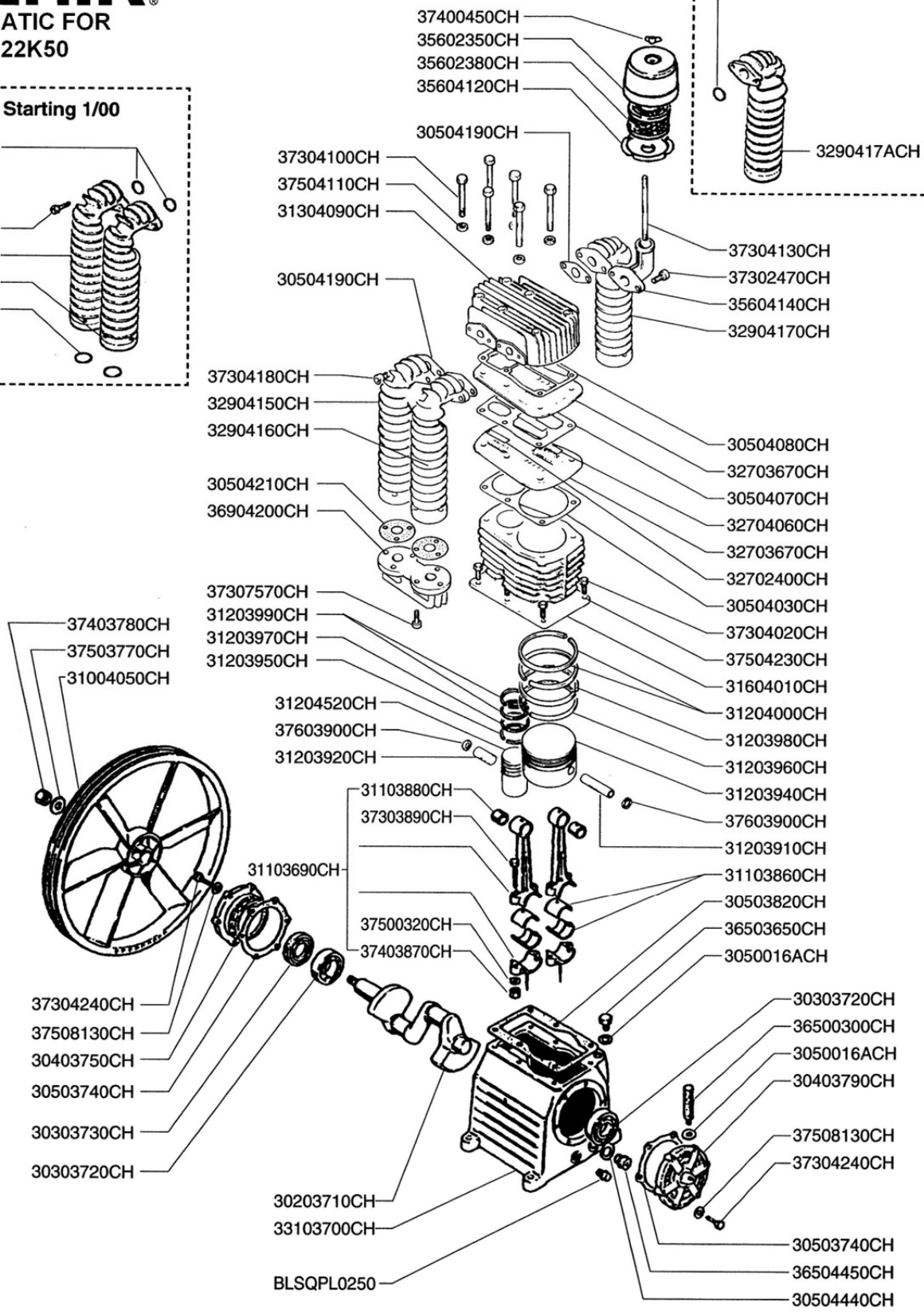
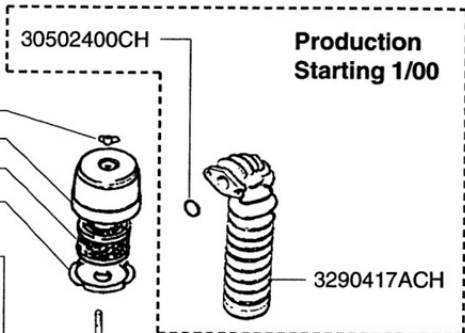
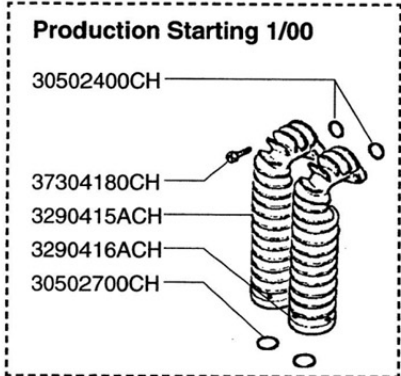
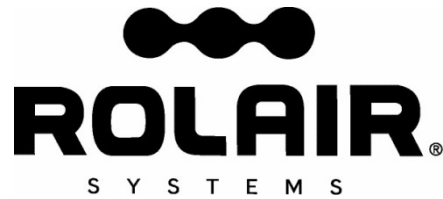


ROLAIR[®]

SCHEMATIC FOR
PMP22K50





PARTS LIST FOR PMP22K50

Description	Part #	Qty.	Description	Part #	Qty.
Crankshaft	30203710CH	1	Filter Cover	35602350CH	1
Bearing	30303720CH	2	Filter Element	35602380CH	1
Oil Seal	30303730CH	1	Filter Base	35604120CH	1
Bearing Carrier	30403750CH	1	Elbow	35604140CH	1
Bearing Carrier	30403790CH	1	3/8" Breather/Oil Fill Plug	36500300CH	1
Gasket	3050016ACH	2	Oil Fill Plug	36503650CH	1
Gasket	30503740CH	2	Sight Gauge	36504450CH	1
Gasket	30503820CH	1	Connector	36904200CH	1
Gasket	30504030CH	1	Bolt	37302470CH	2
Gasket	30504070CH	1	Bolt	37303890CH	4
Gasket	30504080CH	1	Bolt	37304020CH	6
Gasket	30504190CH	3	Bolt	37304100CH	6
Gasket	30504210CH	2	Tension Rod	37304130CH	1
Gasket	30504440CH	1	Bolt	37304180CH	4
Flywheel	31004050CH	1	Bolt	37304240CH	12
Connecting Rod w/Upper Bushing	31103690CH	2	Bolt	37307570CH	6
Bearing Shell	31103860CH	2	Wing Nut	37400450CH	1
Bushing*	31103880CH	2	Nut	37403780CH	1
Piston Pin – LP	31203910CH	1	Nut	37403870CH	4
Piston Pin – HP	31203920CH	1	Washer	37500320CH	4
Piston – LP	31203940CH	1	Washer	37508130CH	12
Ring - HP	31203950CH	1	Washer	37503770CH	1
Ring - LP	31203960CH	1	Washer	37504110CH	6
Ring - HP	31203970CH	1	Washer	37504230CH	6
Ring - LP	31203980CH	1	Snap Ring	37603900CH	4
Ring - HP	31203990CH	2	Plug	BLSQPL0250	1
Ring - LP	31204000CH	2	Ring Set	K50RINGS	1
Piston – HP	31204520CH	1	Gasket Set	K50GASKETS	1
Head	31304090CH	1	Valve Plate Assembly	5000VK50	1
Cylinder	31604010CH	1	Intercooler/Aftercooler Parts Starting 1/00		
Valve – HP	32702400CH	2	O-Ring	30502400CH	3
Valve Plate	32703670CH	2	O-Ring	30502700CH	2
Valve – LP	32704060CH	2	Left Intercooler	3290415ACH	1
Left Intercooler	32904150CH	1	Right Intercooler	3290416ACH	1
Right Intercooler	32904160CH	1	Aftercooler	3290417ACH	1
Aftercooler	32904170CH	1	Bolt	37304180CH	6
Crankcase	33103700CH	1			

*Bushing is not machined to fit piston pin if ordered separate from connecting rod.

