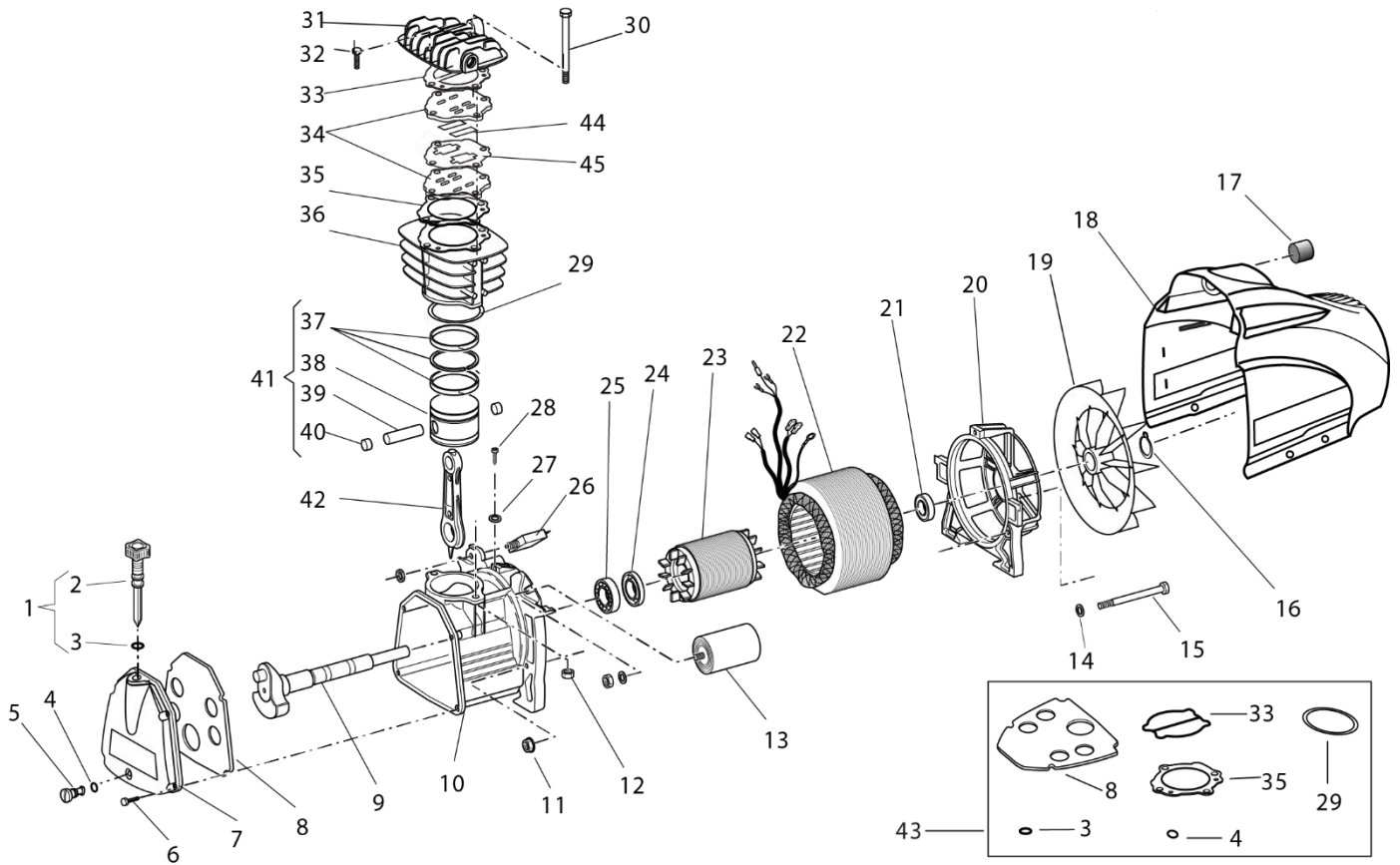
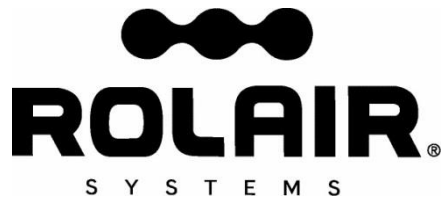


# ROLAIR®

## SCHEMATIC FOR PMP11SF2500FC





## PARTS LIST FOR PMP11SF2500FC

Schematic #	Description	Part #	Qty.
1	Dipstick w/ O-Ring	U1110	1
2	Dipstick	Superceded by U1110	1
3	O-Ring	FC010024000	1
4	O-Ring	FC010072000	1
5	Screw	FC014013024	1
6	Screw	FC014006024	4
7	Crankcase Cover	FC016120003	1
8	Diaphragm	FC116120030	1
9	Crankshaft	FC116120023	1
10	Crankcase	FC116120006	1
11	Nut	NLA	3
12	Nut	FC014003001	2
13	Capacitor	U1107	1
14	Lock Washer	FC014008020	3
15	Bolt	NLA	3
16	C-Clip	FC015083000	1
17	Filter Element	FC317064000	1
18	Shroud	FC280801021	1
19	Fan	FC116120008	1
20	End Bell	FC116120007	1
21	Bearing	U1113	1
22	Stator	FC316122652	1
23	Rotor	FC134135000	1
24	Seal	FC010132000	1
25	Bearing	FC033082000	1
26	Manual Reset Button	FC008331000	1
27	Lock Washer	FC014008006	1
28	Screw	NLA	1
29	O-Ring	FC010133001	1
30	Bolt	NLA	2
31	Head	FC116120015	1
32	Bolt	NLA	2
33	Head Gasket	FC116CN0050	1
34	Valve Plate	FC116CN0030	2
35	Cylinder Gasket	FC116HT0003	1
36	Cylinder	FC116HT0101	1
37	Ring Set*	NLA	1
38	Piston*	NLA	1
39	Piston Pin	U1115	1
40	C-Clip	U1116	2
41	Piston Assembly (Includes Ref#37, 38, 39, 40)	U1105	1
42	Connecting Rod	U1106	1
43	Gasket Set	FC216120004	1
44	Reed Valve	U1104	2
45	Valve Gasket	FC116CN0051	1
	1.5 HP Pump/Motor	PMP11SF2500FC	1
	Valve Plate Assembly (Includes Ref#33, 34, 35, 44, 45)	2500VMK137	1
	Valve Kit (Includes Ref#33, 35, 44, 45)	VKSF2500	1

\*No longer available individually, must order complete Piston Assembly (Ref#41, Part#U1105).

