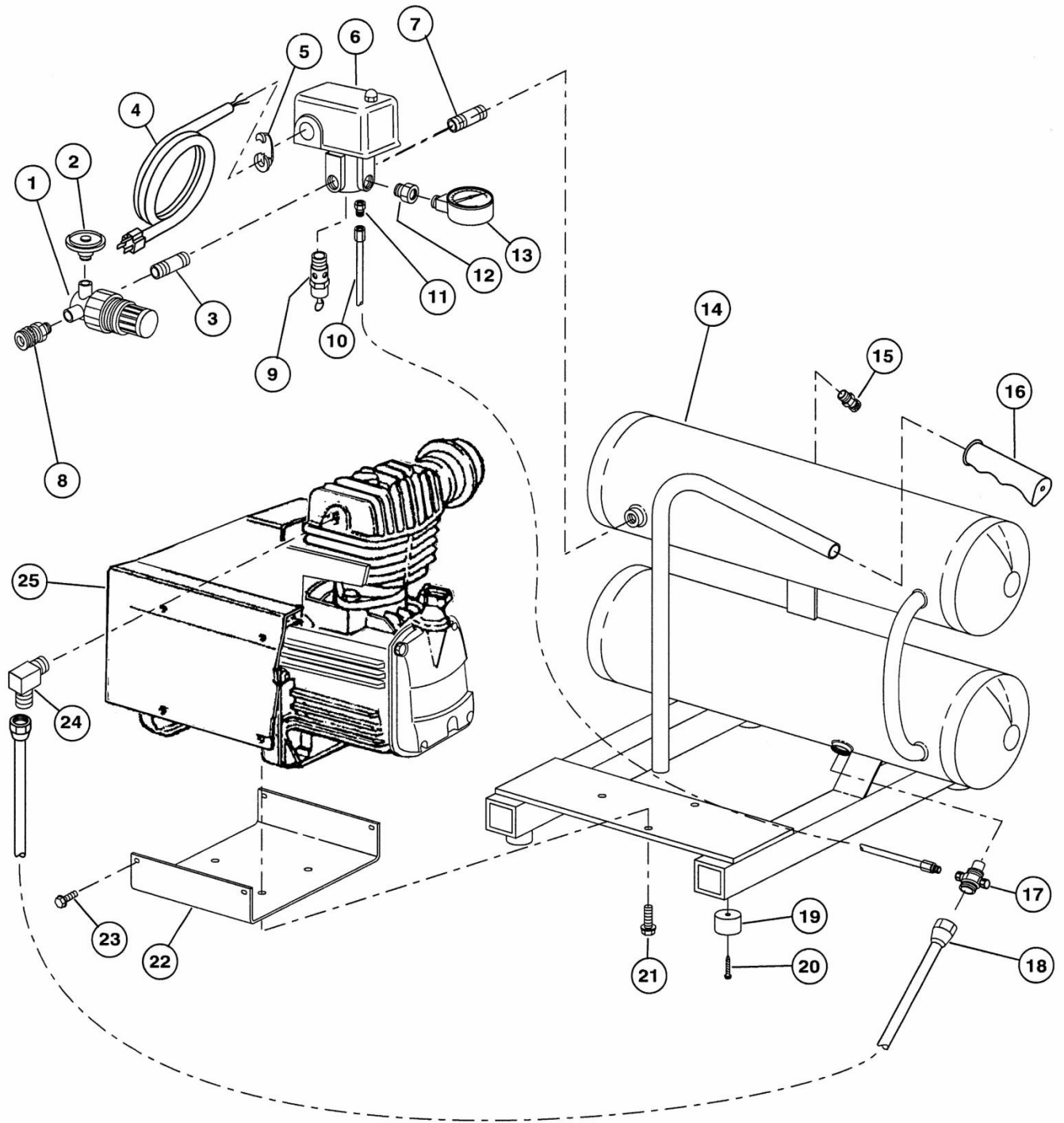
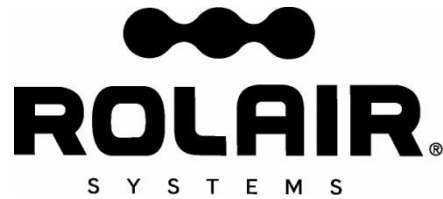


ROLAIR
SCHEMATIC FOR
D2002HSSV5





PARTS LIST FOR D2002HSSV5

Schematic #	Description	Part #	Qty.
1	Regulator	REG0250M	1
2	Gauge – Line	GA0125200	1
3	Nipple	BLNP0250X2000	1
4	Cord w/Plug	176	1
5	Box Connector	160	2
6	Pressure Switch	PS2525	1
7	Nipple	BLNP0250X2500	1
8	Quick Disconnect	U9001	1
9	Safety Valve	SRV0250N165	1
10	1/4" Nylon Tubing – 18"	178D	1.5'
	Brass Nut	BRNT0250	2
	Brass Ring	BRRG0250	2
	Brass Sleeve	BRSL0250	2
11	Pressure Switch Relief Valve	PS2020RV	1
12	Brass Adapter	BRAD0250X0250	1
13	Gauge – Tank	GA0250200	1
14	Tank Assembly	TNKASYSSV5	1
15	Drain Valve	132B	2
16	Handle Grip	328	1
17	Check Valve	CV4X4TWB	1
18	Discharge Tube	D2002HSSV5–DISCH TB	1
19	Rubber Foot	219B	4
20	Screw	MIS10093C	4
21	Bolt	MIS10094	3
22	Mounting Plate	SDL1060–SSV5	1
23	Screw	MIS10036	4
24	Brass Elbow	BREL0500X037539	1
25	2 HP Pump/Motor	PMP11MK246FC	1

