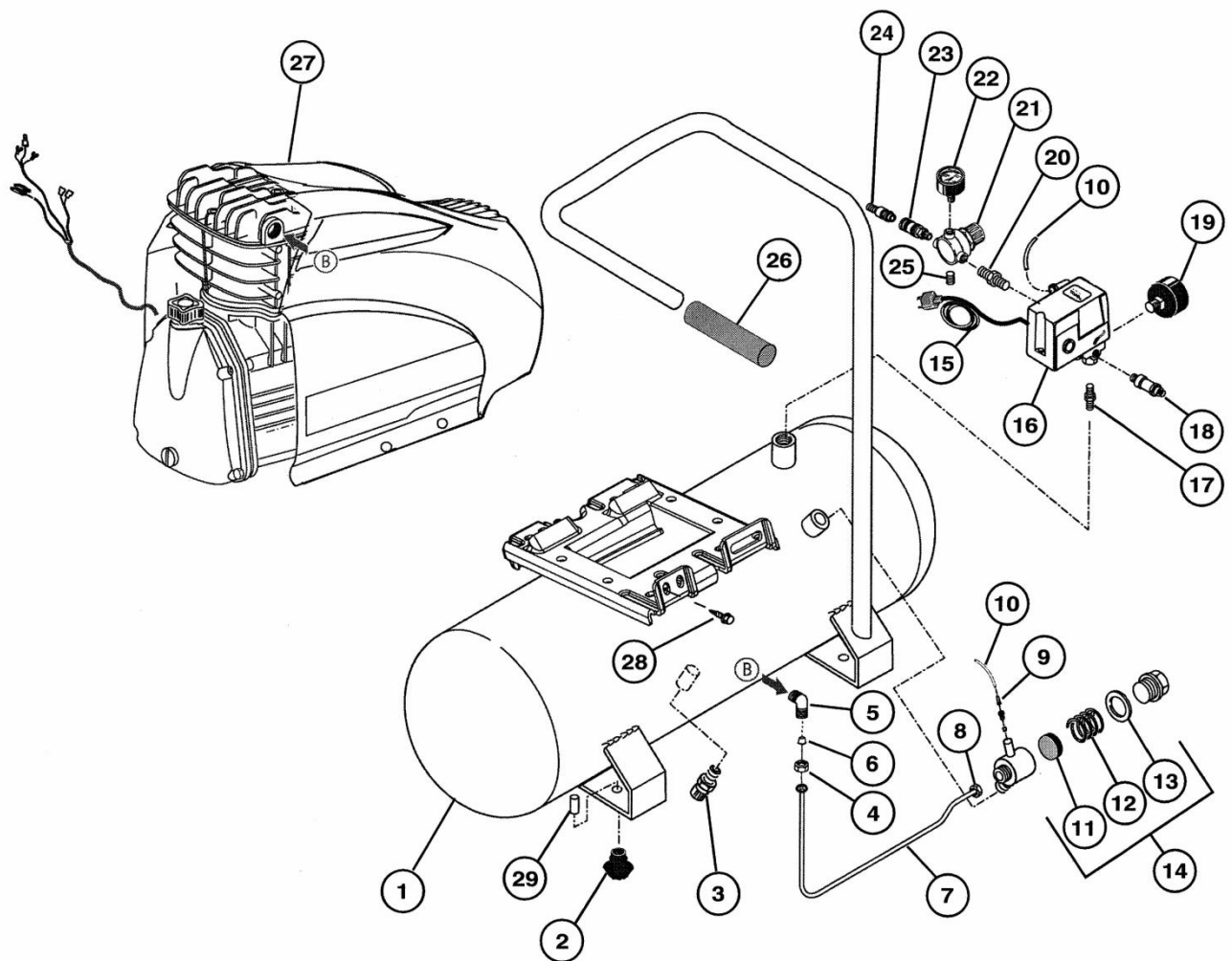
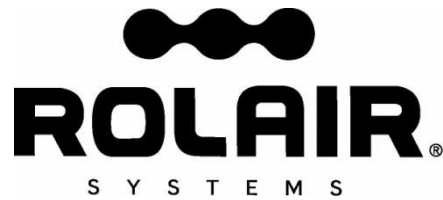


ROLAIR
SCHEMATIC FOR
FC1250LS3





PARTS LIST FOR FC1250LS3

Schematic #	Description	Part #	Qty.
1	Tank Assembly	FC165A15001	1
2	Rubber Foot	FC020310000	4
3	Drain Valve	U6007	1
4	Lock Nut	FC011117002	1
5	Elbow	FC011117001	1
6	Ring	FC011117000	1
7	Discharge Tube	FC168HQ0010	1
8	Lock Nut	FC199437000	1
9	Brass Sleeve	FC011304000	1
10	Nylon Tubing	FC046001000	1
11	Disc*	NLA	1
12	Spring	FC047113002	1
13	O-Ring	FC010024000	1
14	Check Valve	FC347043000	1
15	Cord with Plug	FC164A08300	1
16	Pressure Switch	U6005	1
17	Nipple	FC199110140	1
18	Safety Relief Valve	U6004	1
19	Gauge – Tank	U3003	1
20	Nipple	U5003	1
21	Regulator	U3002	1
22	Gauge – Line	U3001	1
23	Coupler	U9001	1
24	Plug	FC011731001	1
25	Pipe Plug	FC011088000	1
26	Handle Grip	FC127HQ0130	1
27	1.5 HP Pump/Motor	PMP11MK137FC	1
28	Screw	FC014013042	4
29	Columnar Pin	FC199000040	4

* No longer available, must order complete check valve.

