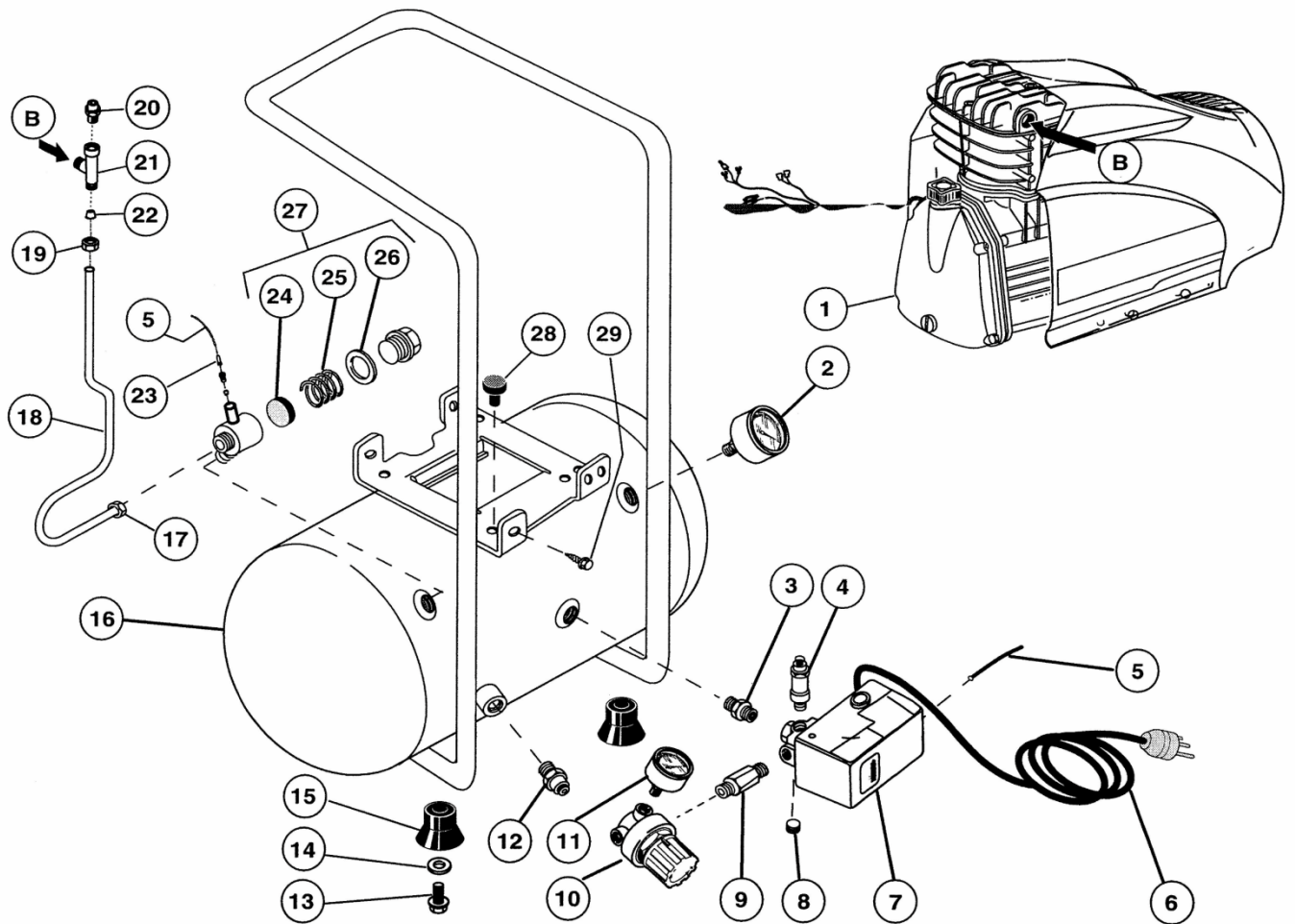
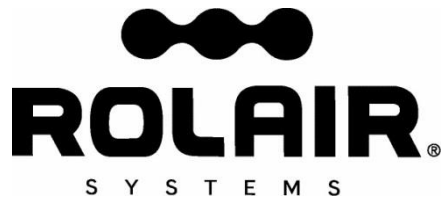



ROLAIR
SCHEMATIC FOR
FC1500HBP2





PARTS LIST FOR FC1500HBP2

| Schematic # | Description | Part # | Qty. |
|-------------|--------------------|---------------|------|
| 1 | 1.5 HP Pump/Motor | PMP11SF2500FC | 1 |
| 2 | Gauge – Tank | U3003 | 1 |
| 3 | Nipple | FC011017000 | 1 |
| 4 | Safety Valve | FC047027001 | 1 |
| 5 | Nylon Tubing | FC046001000 | 1 |
| 6 | Cord w/Plug | FC164A08300 | 1 |
| 7 | Pressure Switch | U6005 | 1 |
| 8 | Plug | FC011018000 | 1 |
| 9 | Nipple | U5003 | 1 |
| 10 | Regulator | U3002 | 1 |
| 11 | Gauge – Line | U3001 | 1 |
| 12 | Drain Valve | U6007 | 1 |
| 13 | Screw | FC014013004 | 4 |
| 14 | Washer | FC014005004 | 4 |
| 15 | Rubber Foot | FC199968000 | 4 |
| 16 | Tank Assembly | FC126HQ0010 | 1 |
| 17 | Lock Nut | FC199437000 | 1 |
| 18 | Discharge Tube | FC168HQ0009 | 1 |
| 19 | Lock Nut | FC011117002 | 1 |
| 20 | Bleeder Valve | FC011158000 | 1 |
| 21 | Discharge Tee | FC199617000 | 1 |
| 22 | Ring | FC011117000 | 1 |
| 23 | Brass Sleeve | FC011304000 | 1 |
| 24 | Seal* | NLA | 1 |
| 25 | Spring | FC047113002 | 1 |
| 26 | O-Ring | FC010024000 | 1 |
| 27 | Check Valve | FC347043000 | 1 |
| 28 | Vibration Dampener | FC199575000 | 4 |
| 29 | Screw | FC014013042 | 4 |

* No longer available, must order complete check valve.

