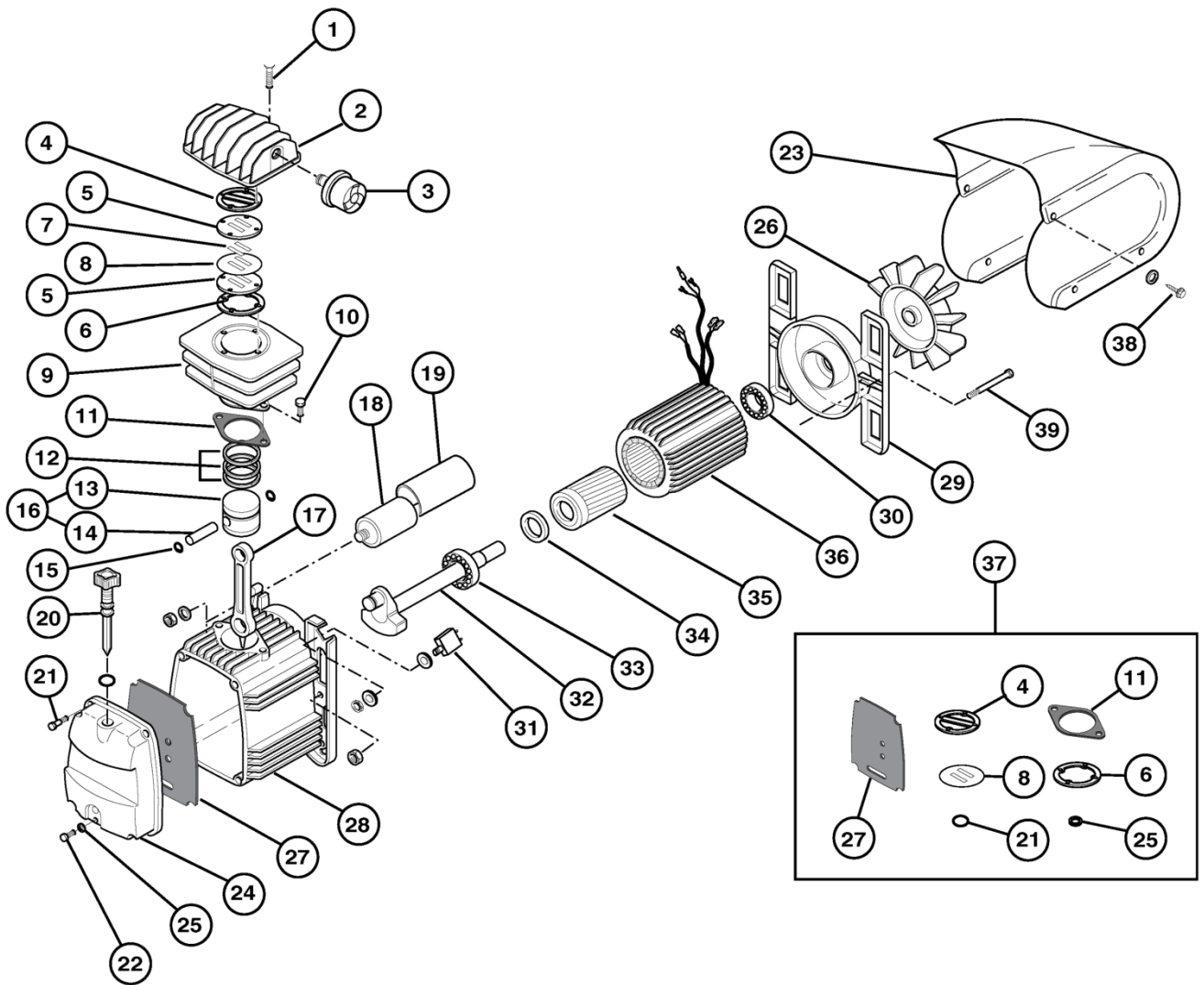
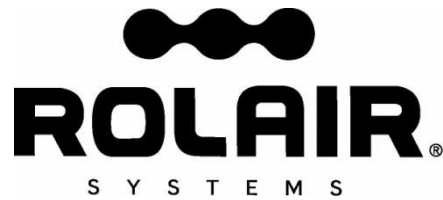


ROLAIR®

SCHMATIC FOR
PMP11MK256FC





PARTS LIST FOR PMP11MK256FC

Schematic #	Description	Part #	Qty.
1	Bolt	FC014002021	4
2	Head	FC116022002	1
3	Intake Filter Assembly	FC317081000	1
4	Gasket	U1100	1
5	Valve Plate	U1103	2
6	Gasket	U1102	1
7	Reed Valve	U1104	2
8	Gasket	U1101	1
9	Cylinder	FC116QR0001	1
10	Bolt	FC014011064	2
11	Gasket	FC116091016	1
12	Ring Set*	NLA	1
13	Piston*	NLA	1
14	Piston Pin	U1115	1
15	Snap Ring	U1116	2
16	Piston Assembly	U1105	1
17	Connecting Rod	U1106	1
18	Capacitor	U1107	1
19	Capacitor Cover	FC116034013	1
20	Dipstick	U1110	1
21	Screw	FC014013021	4
22	Drain Plug	FC014013024	1
23	Shroud	FC116117030	1
24	Crankcase Cover	FC116091002	1
25	O-Ring	FC010072000	1
26	Fan	U1109	1
27	Diaphragm	FC116091011	1
28	Motor Housing	FC116091001	1
29	End Bell	U1108	1
30	Bearing	FC033118000	1
31	Manual Reset Button	FC008331000	1
32	Crankshaft	FC116022011	1
33	Bearing	U1114	1
34	Seal	FC010029000	1
35	Rotor	FC134102000	1
36	Stator	FC416GH3652	1
37	Gasket Set	FC216093003	1
38	Screw	FC014006121	2
39	Bolt	FC116011038	2
	Valve Kit (Includes Ref#4,6,7,8)	VKMK246	1

*Order Ref#16, Part#U1105

