

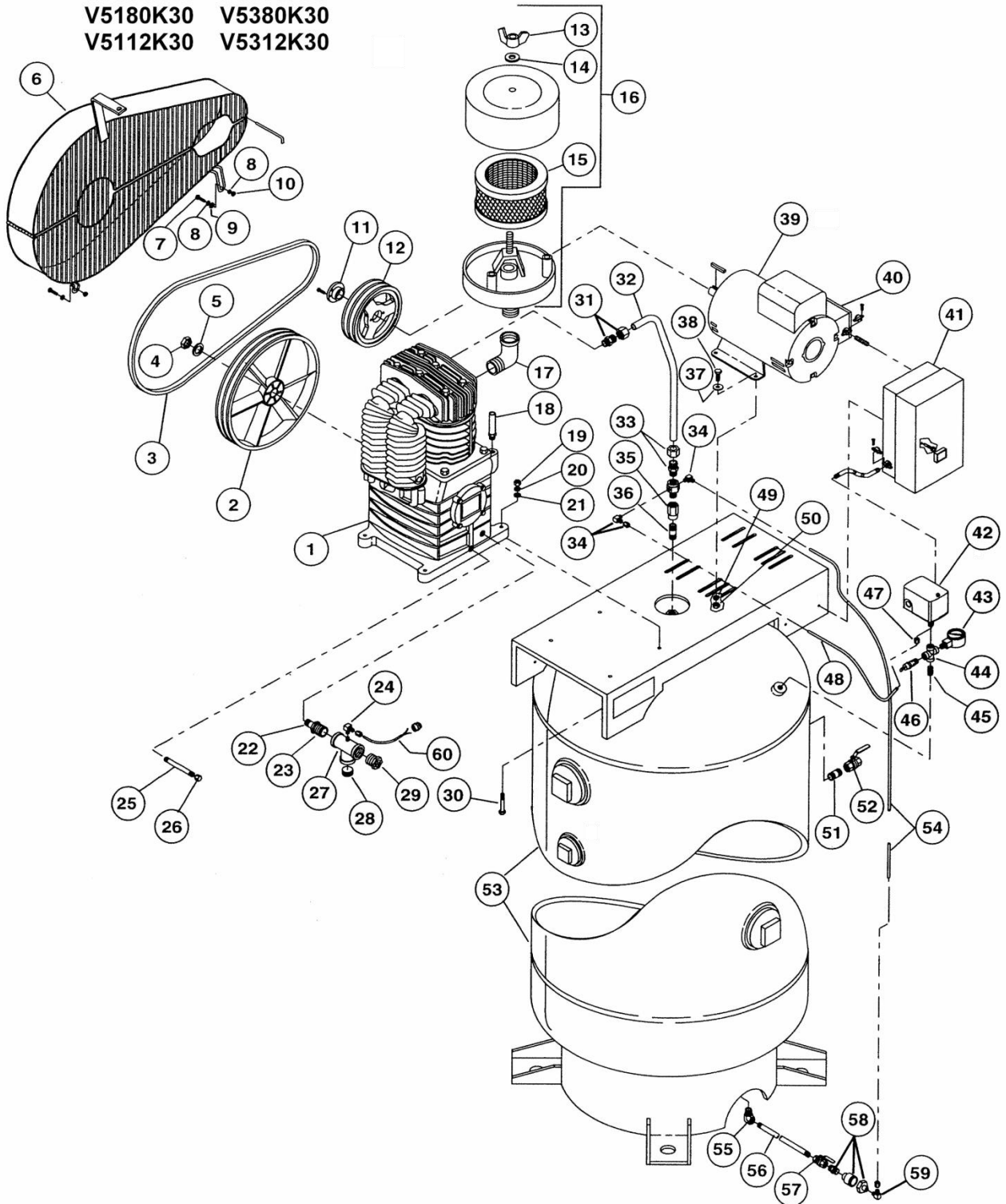
ROLAIR®

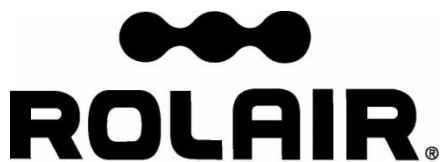
SCHEMATIC FOR MODELS

V5160K30 V5360K30

V5180K30 V5380K30

V5112K30 V5312K30





S Y S T E M S
PARTS LIST FOR MODELS
V5160K30, V5360K30
V5180K30, V5380K30
V5112K30, V5312K30

Schem #	Description	Part #	Qty.	Schem #	Description	Part #	Qty.		
1	II Stage Pump with Flywheel	PMP22K30CH	1	33	Brass Nut and Ring (used with CV6X6T)	BRNT0750	1		
	II Stage Pump Less Flywheel	PMP22K30CHLF	1			BRRG0750	1		
2	Flywheel	31003040CH	1	34	Brass Elbow	BREL0250X012539	1		
3	Belt	BTA66	2			35	Check Valve (Standard Production)	CV4X4L1 (before 6/14)	1
4	Nut	37403780CH	1					Check Valve (As Shown w/Automatic Tank Drain)	CV4X4L2 (before 6/14)
5	Washer	37502450CH	1			CV6X6T2 (6/14-current)	1		
6	Belt Guard	BG128	1	36	Nipple	BLNP0500X1500	1		
7	Bolt	MIS10005	2	37	Washer	MIS10103	4		
8	Washer	MIS10102	2	38	Bolt	MIS10022	4		
9	Washer	MIS10103	2	39	5 HP Motor – 1 Phase “V51 Series”	MTRG104	1		
10	Nut	MIS10001	2			5 HP Motor - 3 Phase “V53 Series”	MTRG303	1	
11	Bushing	H1X1.125	1		40		Box Connector	161	2
12	Pulley	PU2BK80H	1	41	Magnetic Starter, 1 Phase	MAG51F230V	1		
13	Wing Nut	FSNUT	1			Magnetic Starter, 3 Phase	MAG53F230V	1	
14	Washer	FSWASHER	1		42		Pressure Switch	PS2020M	1
15	Filter Element	431	1	43	Gauge	GA0250300	1		
16	Silencer/Filter Assembly	FS14075	1	44	Cross	BLCR0250	1		
17	Elbow	BLEL0750X90S	1	45	Nipple	BLNP0250X1500	1		
18	3/8" Breathe/Oil Fill Plug	36507050CH	1	46	Safety Relief Valve	SRV0250A200	1		
19	Nut	MIS10040	4	47	Pressure Switch Relief Valve	PS2020RV	1		
20	Lock Washer	MIS10100	4	48	1/4" Nylon Tubing – 18"	178D	1.5'		
21	Washer	MIS10103	4			Brass Nut	BRNT0250	2	
22	Nipple	BLNP0500X2500	1			Brass Ring	BRRG0250	2	
23	Bushing	BLBS1000X0500	1			Brass Sleeve	BRSLO250	2	
24	Brass Elbow	BREL0250X025039	1			49	Lock Washer	MIS10099	4
25	Nipple	BLNP0250X4000	1			50	Nut	MIS10020	4
26	Cap	BLCA0250	1			51	Nipple	BLNP0500X2500	1
27	Tee	BLTE1000	1	52	Shut-Off Valve	SOV0500B	1		
28	Plug	BLCSPL1000	1	53	Tank Assy. (60 Gallon)	TNK060AV	1		
29	Sight Gauge (Standard Prod.)	36500140CH	1		Tank Assy. (80 Gallon)	TNK080AV	1		
	Gasket (Standard Prod.)	30500130CH	1		Tank Assy. (120 Gal.)	TNK120AV	1		
	Sight Gauge (As shown on unit w/Low Oil Control)	TF050101AV	1	54	1/4" Copper Tubing	CTUBE14	(Specify Length)		
30	Bolt	MIS10043	4	55	Elbow	BLEL0250X90S	1		
31	Brass Straight	BRST0750X075038	1	56	Nipple	BLNP0250X4000	2		
32	3/4" Copper Tubing – 18"	CTUBE34	1.5'	57	Shut-Off Valve	SOV0250B	1		
				58	Automatic Tank Drain	3800H	1		
33	Brass Straight (used with CV6X6L2 and CV4X4L2)	BRST0750X050038	1	59	Brass Elbow	BREL0250X012539	1		
				60	Low Oil Control	162745	1		

